

Mini-ITX Series

NEW

VIA

EPIA-M910

Mini-ITX QuadCore E/Nano™ X2 E/Eden™ X2 Board with Full HD Video Support, SATA, GigaLAN, USB, VGA, HDMI, LVDS & PCIe

Features

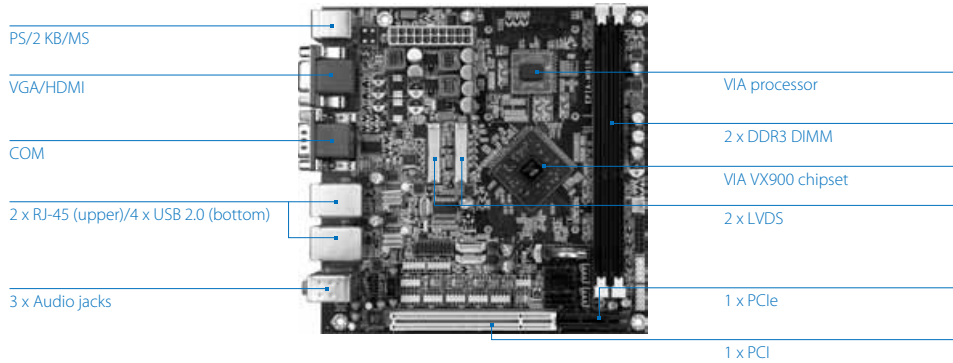
- Integrated VIA Chrome9™ HD DX9 3D/2D graphics with VC1, MPEG-2, WMV9 and H.264 decoding acceleration
- Supports high-bandwidth DDR3, up to 8GB memory
- Support eight COM ports
- Support two SATA
- Supports two Gigabit Ethernet
- Support eight USB 2.0 ports (four as pin headers)
- Support two digital I/O
- Supports one VGA and one HDMI port
- Support one single-channel and one dual-channel 18/24-bit LVDS

CE FC

ROHS COMPLIANT

VIA Embedded

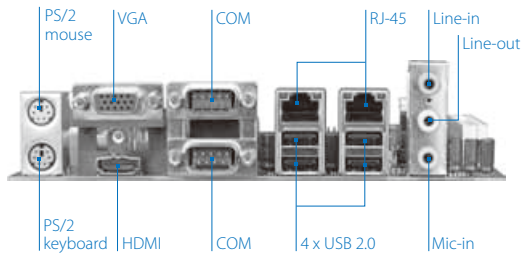
Board Placement



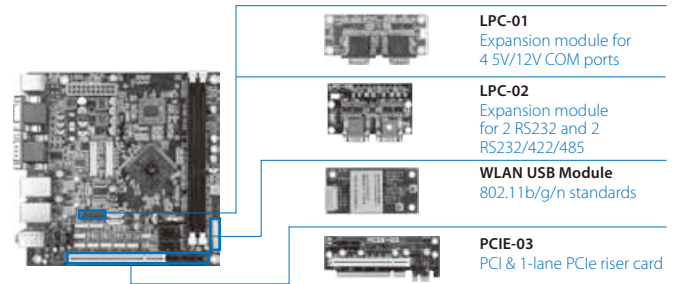
Specifications

Model Name	EPIA-M910	
Processor	1.2GHz VIA QuadCore E (with fan) 1.6GHz VIA Nano™ X2 E (with fan) 1.0GHz VIA Eden™ X2 (fanless)	
Chipset	VIA VX900 Media System Processor	
System Memory	2 x DDR3 1066 DIMM Supports up to 8GB memory size The real memory size may show less than 8GB due to some capacity are used for BIOS or other functions	
VGA	Integrated VIA Chrome9™ HD DX9 3D/2D graphics with VC1, MPEG-2, WMV9 and H.264 decoding acceleration	
Onboard Serial ATA	2 x SATA connectors 2 x SATA 3.5" HDD Auxiliary Power (for DC-in SKU only)	
Onboard LAN	2 x VIA VT6130 PCIe Gigabit Ethernet Controllers	
Onboard Audio	VIA VT2021 High Definition Audio Codec	
Onboard Super IO	Fintek 81865F-I + F81801	
Onboard I/O Connectors	2 x USB 2.0 pin headers for 4 ports 2 x SATA connectors 2 x SATA Power connectors (DC-in SKU) 2 x SATA DOM Power selectors 1 x Dual channel 18/24-bit LVDS (VT1636) 1 x Single channel 18/24-bit LVDS (VX900) 1 x Front audio pin header 1 x PS/2 keyboard/mouse pin header 6 x RS232 pin headers (powered with selectable 5V/12V)	1 x LPC pin header 1 x SMBUS pin header 1 x S/PDIF Out connector 2 x Digital I/O pin headers (GPI x 8, GPO x 8) 1 x Front panel pin header 2 x Smart Fan pin headers for CPU and Sys 1 x ATX or DC-in power connector 1 x PCI slot + 1 PCIe x 1 slot
Back Panel I/O	2 x Serial ports (powered with selectable 5V/12V) 1 x VGA port 1 x HDMI port 2 x GigaLAN ports 4 x USB ports 3 x Audio jacks: Line-in, Line-out and MIC-in 2 x PS/2 KB/MS ports	
I/O Bracket	Standard	
BIOS	AMI BIOS 8Mbit SPI flash memory	
Operating System	Windows 7, Windows Embedded Standard 7, POSReady 7, Windows XP, Windows Embedded Standard/Compact, Linux and VxWorks	
Power	ATX Power or 12V DC-in	
System Monitoring & Management	Wake-on-LAN, Keyboard-Power-on, Timer-Power-on System power management, AC power failure recovery Watch Dog Timer	
Operating Temperature	0°C ~ 60°C	
Operating Humidity	0% ~ 95% (relative humidity; non-condensing)	

Back Panel I/O



Accessories



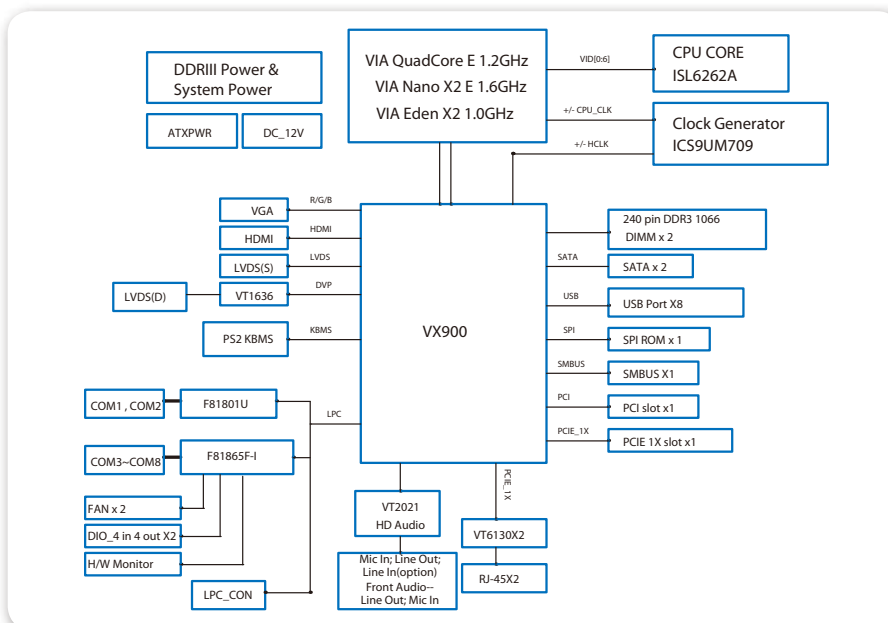
Specifications

Model Name	EPIA-M910
Form Factor	Mini-ITX, 17 cm x 17 cm
Compliance	CE/FCC/BSMI/RoHS

Ordering Information

Model Name	CPU Frequency	Description
EPIA-M910-12Q	1.2GHz QuadCore E	Mini-ITX Board with 1.2GHz QuadCore E CPU, MPEG-2, WMV9, H.264, 2 x LVDS, 1 x HDMI, 1 x VGA, 8 x COM, 8 x USB, 2 x SATA, 2 x GigaLAN, 1 x PCIe, 1 x PCI, ATX power
EPIA-M910-12PQ	1.2GHz QuadCore E	Mini-ITX Board with 1.2GHz QuadCore E CPU, MPEG-2, WMV9, H.264, 2 x LVDS, 1 x HDMI, 1 x VGA, 8 x COM, 8 x USB, 2 x SATA, 2 x GigaLAN, 1 x PCIe, 1 x PCI, DC-in power
EPIA-M910-16	1.6GHz Nano™ X2 E	Mini-ITX Board with 1.6GHz Nano™ X2 E CPU, MPEG-2, WMV9, H.264, 2 x LVDS, 1 x HDMI, 1 x VGA, 8 x COM, 8 x USB, 2 x SATA, 2 x GigaLAN, 1 x PCIe, 1 x PCI, ATX power
EPIA-M910-16P	1.6GHz Nano™ X2 E	Mini-ITX Board with 1.6GHz Nano™ X2 E CPU, MPEG-2, WMV9, H.264, 2 x LVDS, 1 x HDMI, 1 x VGA, 8 x COM, 8 x USB, 2 x SATA, 2 x GigaLAN, 1 x PCIe, 1 x PCI, DC-in power
EPIA-M910-10E	1.0GHz Eden™ X2	Mini-ITX Board with 1.0GHz Eden™ X2 CPU, MPEG-2, WMV9, H.264, 2 x LVDS, 1 x HDMI, 1 x VGA, 8 x COM, 8 x USB, 2 x SATA, 2 x GigaLAN, 1 x PCIe, 1 x PCI, ATX power
EPIA-M910-10PE	1.0GHz Eden™ X2	Mini-ITX Board with 1.0GHz Eden™ X2 CPU, MPEG-2, WMV9, H.264, 2 x LVDS, 1 x HDMI, 1 x VGA, 8 x COM, 8 x USB, 2 x SATA, 2 x GigaLAN, 1 x PCIe, 1 x PCI, DC-in power

Block Diagram



Packing List

Items
1 x SATA cable
1 x I/O bracket
1 x SATA power cable (for DC-in sku only)
1 x DC power cable (for DC-in sku only)