

Mini-ITX Series

VIA EPIA-M830

Mini-ITX Nano™ E Board with
MPEG-2 & WMV9/VC1, IDE,
SATA, GigaLAN, COM, Mini-
PCIe & PCIe

Features

- Integrated VIA Chrome9™ HC3 DX9 3D/2D graphics with MPEG-2 and WMV9 decoding acceleration
- Supports one IDE and two SATA
- Supports one Gigabit Ethernet
- Supports one digital I/O
- Supports five USB 2.0 ports
- Supports four COM ports (three as pin headers)
- Supports one 4-lane PCIe and one Mini-PCIe socket
- Supports one dual-channel 24-bit LVDS panel



Board Placement

ATX power connector

COM

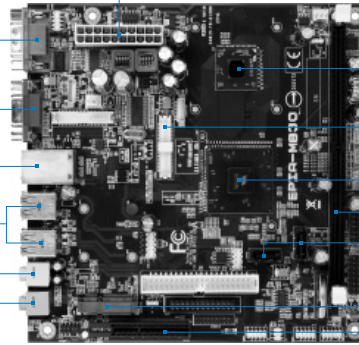
VGA

RJ-45

4 x USB

Line-out

Mic-in



VIA Nano™ E processor

LVDS

VIA VX800 chipset

DDR2 533/667 SDRAM DIMM

2 x SATA

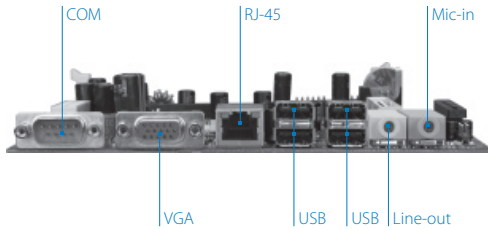
Mini-PCIe socket

PCIe x 4

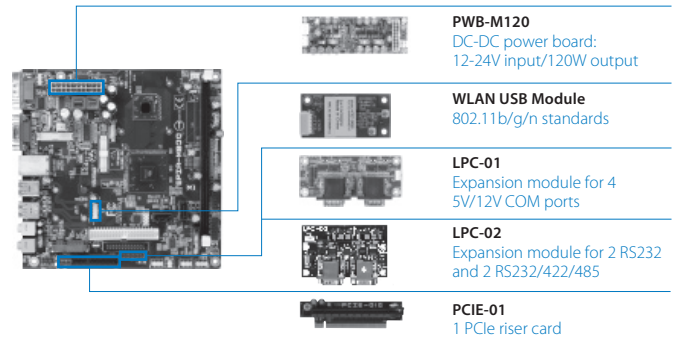
Specifications

Model Name	EPIA-M830-13V	EPIA-M830-10VE
Processor	1.3GHz VIA Nano™ E (with fan)	1.0GHz VIA Nano™ E (fanless)
Chipset	VX800 Unified Digital Media IGP chipset	
Super I/O	VIA VT1211	
System Memory	DDR2 533/667 DIMM socket Up to 2GB memory size	
VGA	Integrated VIA Chrome9™ HC3 DX9 3D/2D graphics with VC1, MPEG-2, WMV9 decoding acceleration	
Onboard IDE	1 x UltraDMA 133/100 pin connector with 2.54mm 40-pin	
Onboard Serial ATA	2 x SATA connectors (pin#7 powered with selectable GND/5V)	
Onboard LAN	1 x VIA VT6130 Gigabit LAN controller	
Onboard Audio	VIA VT1708S High Definition Audio Codec	
Onboard I/O Connectors	1 x USB port 1 x Front audio pin header 1 x Line-in pin header 1 x PS/2 keyboard/mouse pin header 3 x RS-232 pin headers (powered with selectable 5V/12V) 1 x LPT pin header 1 x LPC pin header 1 x SMBUS pin header 1 x S/PDIF-out pin header 1 x Digital I/O (GPI x 4 + GPO x 4) 1 x Front panel pin header 2 x Fan connectors for CPU/Sys 1 x Mini-PCIe socket to support Mini-PCIe/USB devices 1 x PCIe x4 slot 1 x 18bit TTL reserved (DVP, manufacturing option) 1 x LVDS connector, for 24-bit dual channel LVDS panel 1 x ATX power connector	
Rear I/O Connectors	1 x VGA port 2 x USB 2.0 ports 1 x GigaLAN port 2 x Audio jacks (Line-out, Mic-in) 1 x Serial port	
BIOS	Award BIOS 8Mbit SPI Flash ROM	
System Monitoring & Management	Keyboard Power-on, Timer Power-on System power management, AC power failure recovery Wake-on LAN, Watch Dog Timer	
Operating System	Windows Embedded CE, Windows XP, Windows Embedded Standard, Linux	
Operating Temperature	0°C up to 50°C	
Operating Humidity	0% ~ 95% (relative humidity; non-condensing)	

Back Panel I/O



Accessories



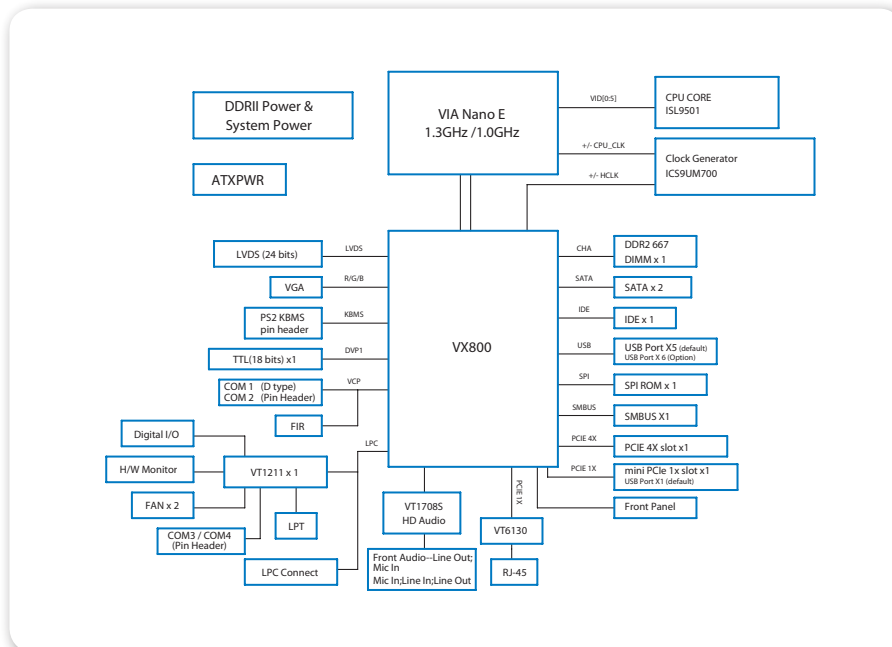
Specifications

Model Name	EPIA-M830-13V	EPIA-M830-10VE
Form Factor	Mini-ITX 17 cm x 17 cm	
Compliance	CE/FCC/RoHS	

Ordering Information

Model Name	CPU Frequency	Description
EPIA-M830-13V	1.3GHz Nano™ E	Mini-ITX Board with 1.3GHz Nano™ E CPU, 1 PCIe x4, 1 Mini-PCIe, 4 COMs, 1 GLAN, 1 LVDS
EPIA-M830-10VE	1.0GHz Nano™ E	Mini-ITX Board with 1.0GHz Nano™ E CPU, 1 PCIe x4, 1 Mini-PCIe, 4 COMs, 1 GLAN, 1 LVDS

Block Diagram



Packing List

Items
1 x SATA cable
1 x PS/2 cable
1 x Driver CD
1 x I/O Bracket