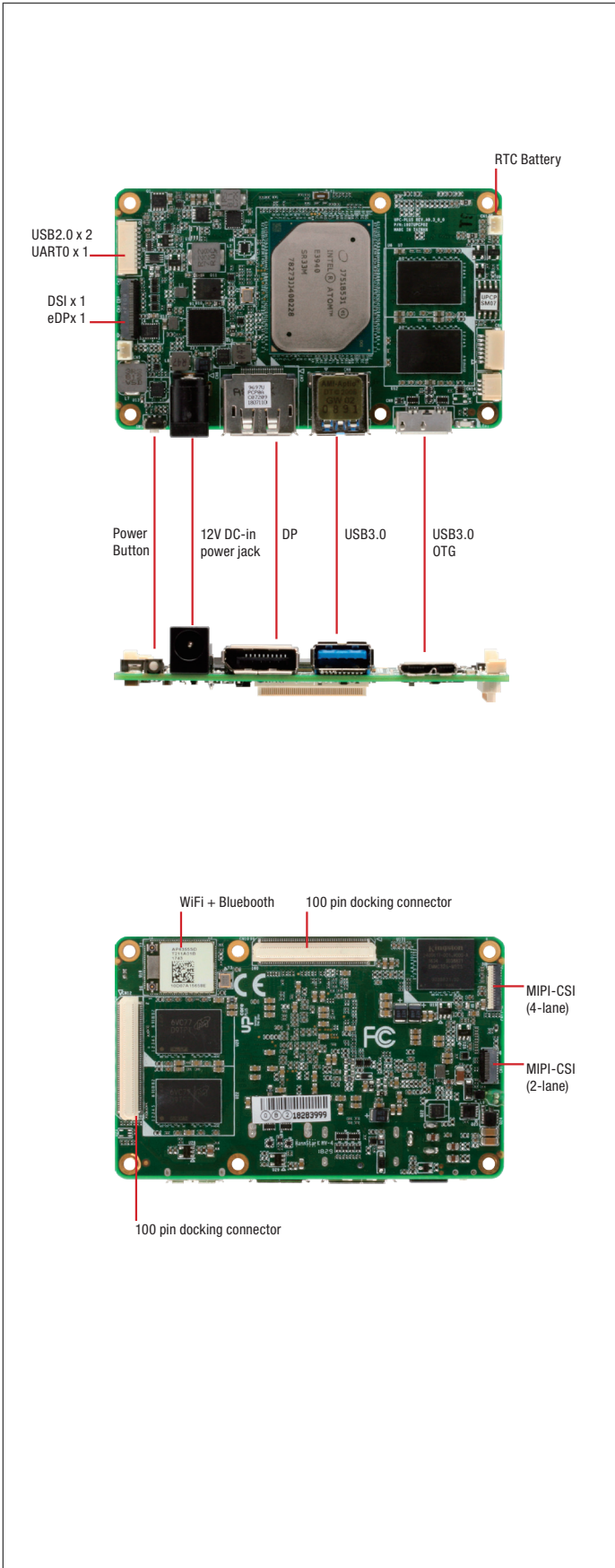


# UP Core Plus

UP Core Plus Developer Board with Intel® Atom™ x5-E3930/x5-E3940/x7-E3950 Processor SoC



## Features

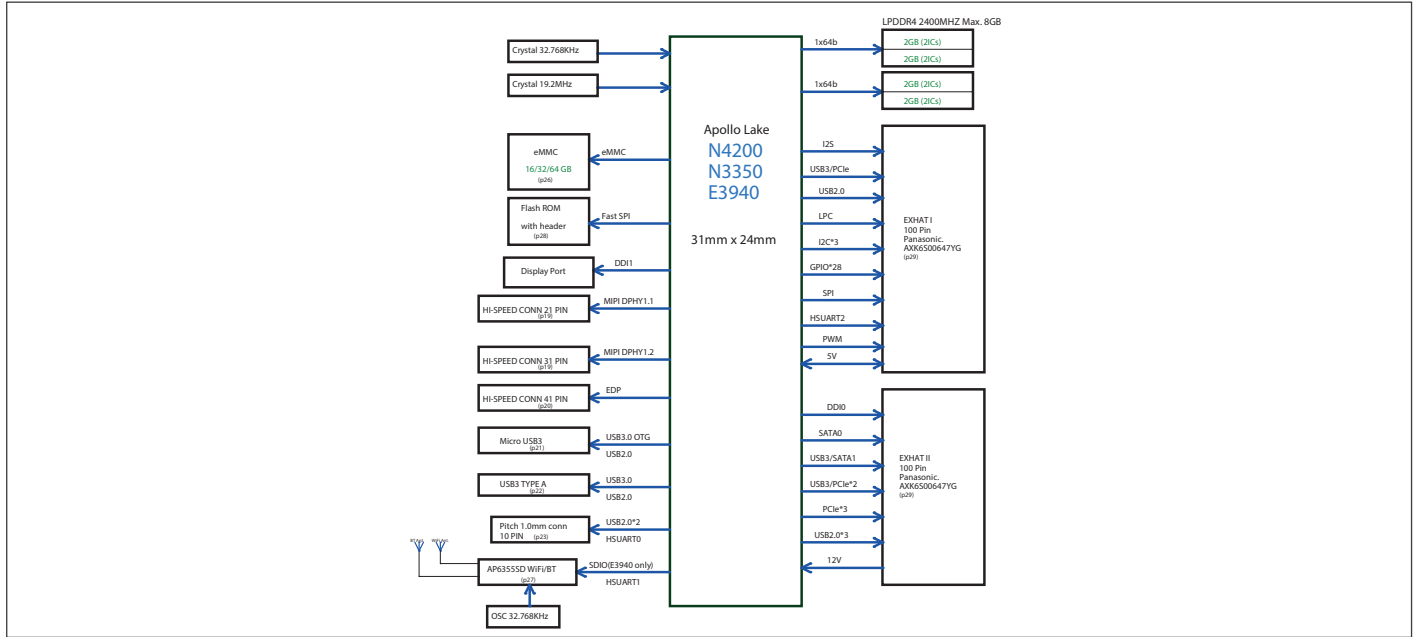
- Intel® Atom™ x5-E3930/x5-E3940/x7-E3950 Processor SoC
- Onboard LPDDR4 Memory up to 8GB
- Onboard eMMC Storage up to 64GB
- USB 2.0 pin header x 2, USB 3.0 x 1, USB3.0 OTG x 1
- 12V DC-in
- DP/eDP x 1
- MIPI-CSI 4-Lane x 1, 2-Lane x 1
- 100pin docking connector x 2
- Wi-Fi + Bluetooth



## Specifications

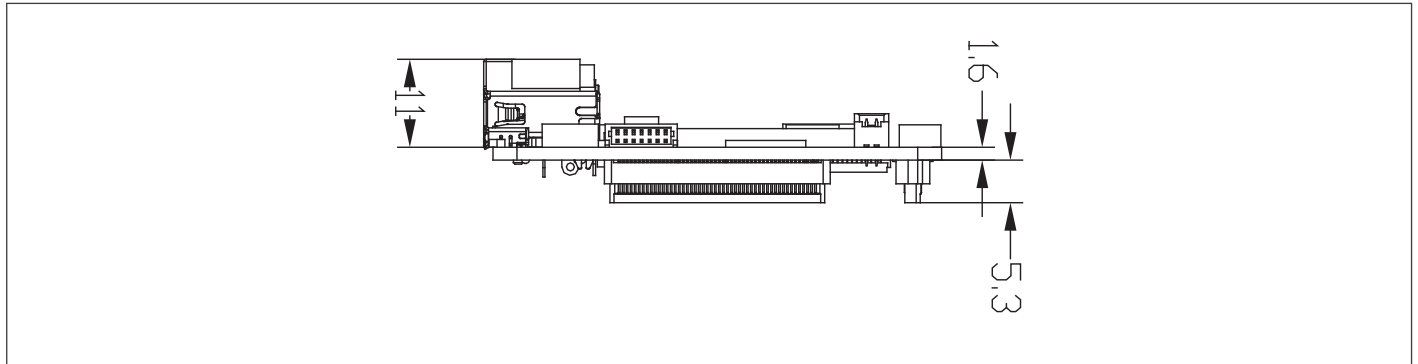
System	
Processor	Intel® Atom™ x5-E3930/x5-E3940/x7-E3950 Processor SoC
Graphics	Intel® HD 500 Graphics / x5-3900 Series Intel® HD 505 Graphics / x7-3900 Series
I/O	eDP x 1, DP x 1 Audio Port via HDMI and I2S (from docking)
Camera	CSI 2-Lane x 1 CSI 4-Lane x 1
USB	USB 2.0 pin header x 2 USB3.0 OTG x 1 USB3.0 x 1
Expansion	100pin docking connector x 2 including: USB 2.0, USB 3.0, 6 PCI-E Lane, SATA, I2C, I2S, SPI, PWM, LPC, SDIO, HUART, ISH, GPIO
RTC	Yes
Power	12V DC-in @ 3A -5A 5.5/2.1mm jack
Dimension	56 mm x 90 mm
Memory	2GB (single channel) LPDDR4 4GB/8GB (dual channel) LPDDR4
Storage	eMMC 32 GB / 64 GB/ 128GB
Display Interface	eDP x 1, DP x 1
Ethernet	—
OS Support	Microsoft Windows 10 Professional, Microsoft Windows 10, IoT Core, Linux (Ubuntu, Yocto), Android 7.0
Operating Temperature	32°F ~ 140°F (0°C ~ 60°C)
Operation Humidity	10% ~ 80% relative humidity, non-condensing
Certification	CE/FCC Class A, RoHS Compliant, REACH

### Block Diagram



### Dimension

Unit: mm



### Ordering Information

Part number	Description
UPC-PLUSX5D-A20-0232	UP Core Plus E3930 2GB/32GB
UPC-PLUSX5Q-A20-0464	UP Core Plus E3940 4GB/64GB
UPC-PLUSX7-A20-0864	UP Core Plus E3950 8GB/64GB
UPC-PLUSX7-A20-08128	UP Core Plus E3950 8GB/128GB

### Packing List

- UPC-PLUS with Heatsink