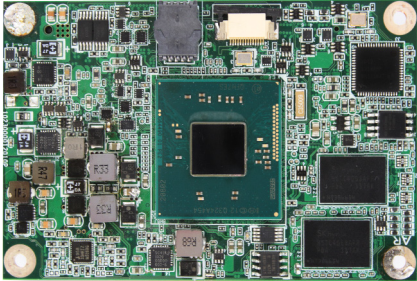


# NAO-660E

## Wide-Range Temperature Intel® Atom™ Processor E3800 family COM Express® Mini Type 10 CPU Module



### Features

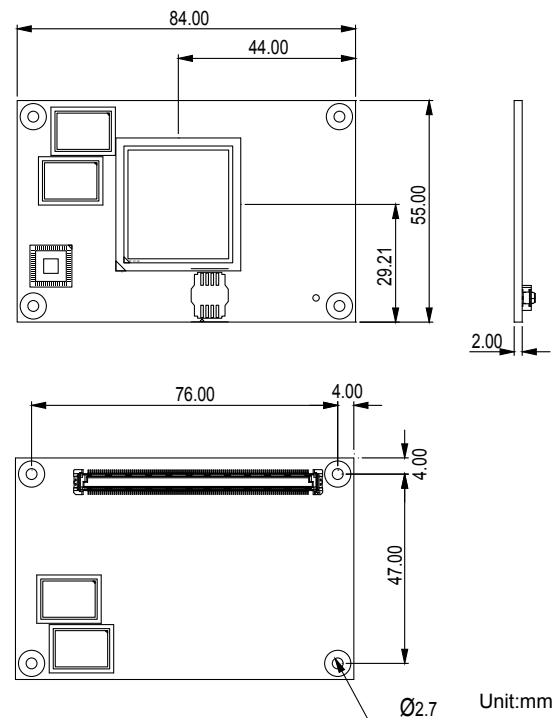
- Soldered onboard Intel® Atom™ Processor E3800 family
- Integrated Gigabit Ethernet
- 1 x DDI port, 1 x LVDS port
- 1 x USB 3.0 port, 8 x USB 2.0 ports, 2 x Serial ports
- Support Dual Independent Displays
- **Wide-Range Operating Temp.: -40 ~ 85°C**

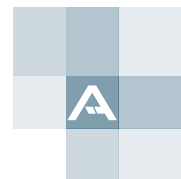
System	
CPU	Intel® Atom™ Processor E3825 dual-core 1.33GHz or E3845 quad-core 1.91GHz
Memory	Soldered onboard 2GB DDR3L SDRAM
BIOS	Insyde UEFI BIOS
I/O	
USB Port	8 x USB 2.0 ports, 1 x USB 3.0 port
Serial Port	2 x Serial Port (TX/RX only)(Optional)
Expansion Bus	3 x PCIe x1 Gen2 lanes
	SPI, and LPC (Low Pin Count) interface, SDIO
Storage	2 x Serial ATA ports
Ethernet Chipset	1 x Intel® i210IT PCIe GbE controller
I2C	Supports I2C
Audio/ Interface	HD Audio link
Display	
Graphics Chipset	Integrated Intel® Gen 7 Graphics
Graphics Interface	1 x DDI port 1 x Single Channel 24-bit LVDS port

### Mechanical & Environmental

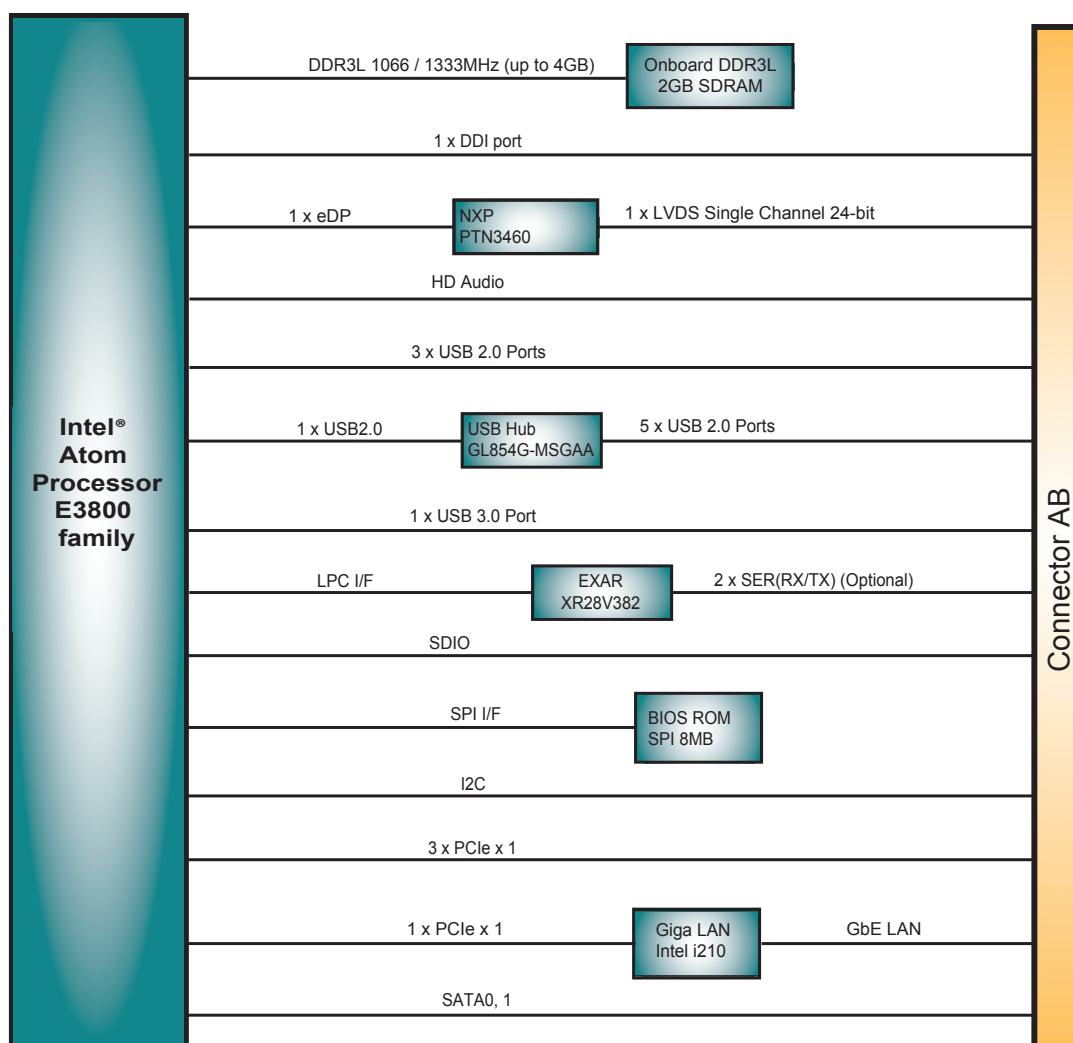
Power Requirement	+12V or +5V
Power Consumption	1.05A@+12V with E3825 (Typical)
Operating Temp.	-40 ~ 85°C (-40 ~ 185°F)
Operating Humidity	10 ~ 95% @ 85°C (non-condensing)
Dimensions (L x W)	84 x 55 mm (3.30" x 2.17")

### Dimensions





## Block Diagram



### Ordering Information

NAO-660E-E3825	Intel® Atom™ Processor E3825 WT COM Express Type 10 CPU module
NAO-660E-E3845	Intel® Atom™ Processor E3845 WT COM Express Type 10 CPU module

### Optional Accessories

HS-0660-F2-T	Heat spreader with threaded standoffs (84.0x55.0x11.0mm)
HS-0660-F2-NT	Heat spreader without threaded standoffs (84.0x55.0x11.0mm)
PBN-9007	COM Express® Mini evaluation carrier board (EPIC form factor)

CBK-05-9007-00	Cable Kit
	1 x USB cable
	1 x serial port cable
	1 x SATA cable
	1 x SATA power cable
	1 x PS/2 cable