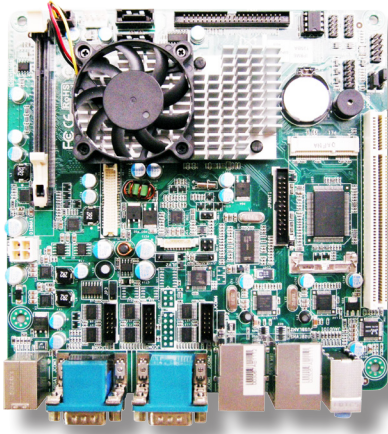


ITX-i290D

Intel® Atom™ Processor D510 Embedded Mini-ITX Motherboard



Features

- Soldered onboard Intel® Atom™ Processor D510
- Dual Gigabit Ethernet Ports
- Cost-effective
- 6 Serial Ports with 5V or 12V Power-pin supported
- Highly Integrated Communication Interfaces
- Dual Display via Analog RGB and LVDS
- Single DC 12V Power Input

System

CPU	Soldered onboard Intel® Atom™ Processor D510 dual-core 1.66GHz
Memory	1 x 200-pin DDR2 SO-DIMM socket, supporting 667/800 MHz SDRAM up to 2GB
Chipset	ICH8M
BIOS	AMI Flash BIOS
Watchdog Timer	65536-level reset

I/O

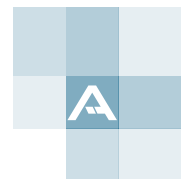
I/O Chipset	ITE8718
Serial Port	5 x RS-232 ports, 1 x RS-232/422/485 selectable port
Parallel Port	SPP/EPP/ECP mode selectable
USB Port	8 x USB 2.0 ports
KB/MS	2 x PS/2 interfaces for keyboard and mouse
Digital I/O	8-bit programmable digital input/output, 4 in/4 out
Expansion Bus	1 x PCI slot 1 x Mini-card socket
Storage	1 x Ultra ATA 100 port 2 x Serial ATA ports with 300MB/s HDD transfer rate
Ethernet Chipset	2 x Realtek 8111 GbE controllers
Audio	Realtek ALC662 Audio CODEC, Mic-in/Line-in/Line-out

Display

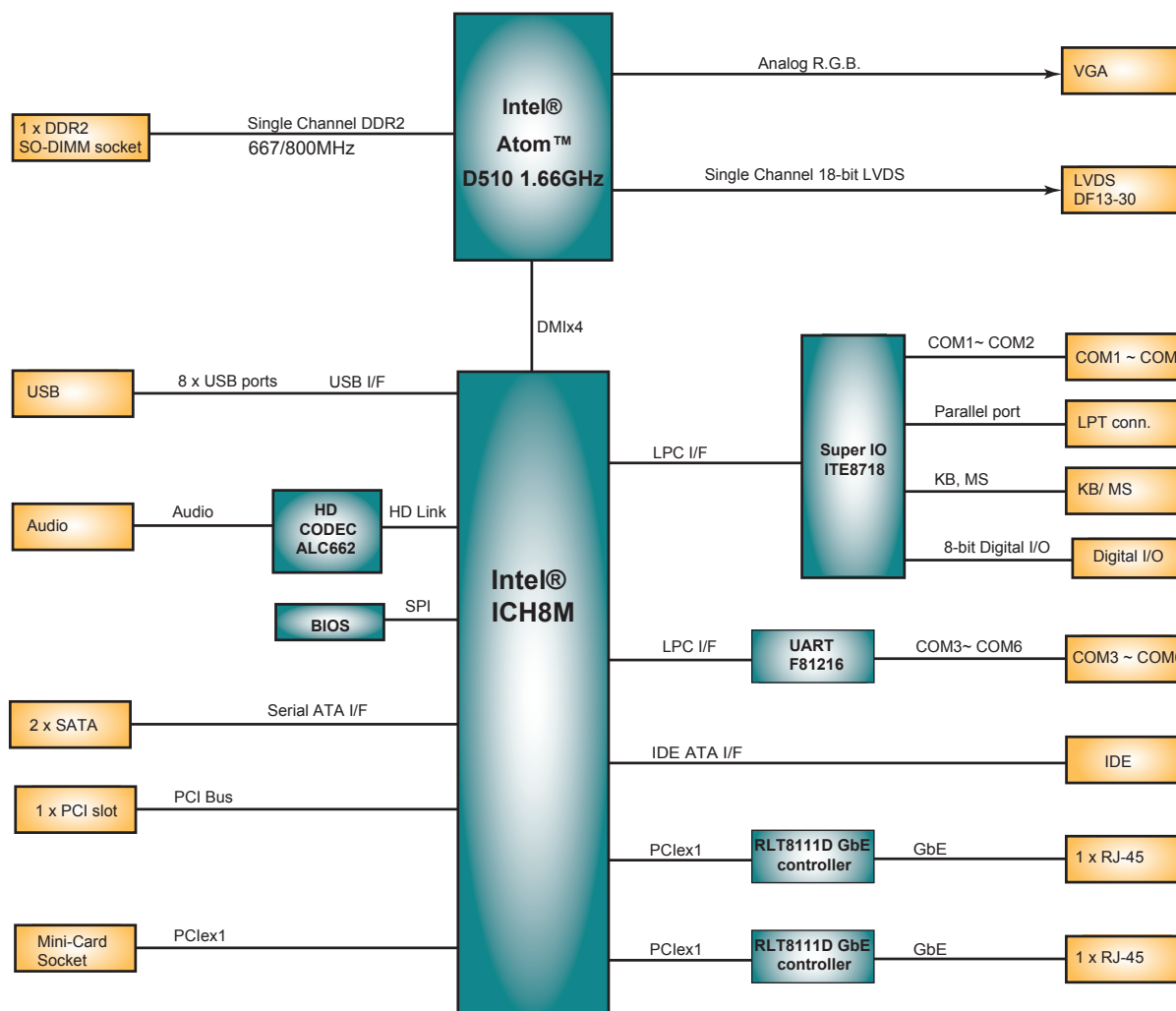
Graphic Chipset	Intel® Graphics Media Accelerator 3150
Graphic Interface	Analog RGB that supports resolution up to 2048 x 1536 LCD that supports 18-bit LVDS, resolution up to 1366 x 768

Mechanical & Environmental

Power Connector	4-pin ATX 12V connector
Power Consumption	3.4A@+12V (Typical)
Operating Temp.	0 ~ 60°C (32 ~ 140°F) w/ cooling fan
Operating Humidity	10 ~ 95% @ 60°C (non-condensing)
Dimensions (L x W)	170 x 170 mm (6.7" x 6.7")



Block Diagram



Ordering Information

ITX-i290D (BTO) Intel® Atom™ Processor D510 Embedded Mini-ITX motherboard

Optional Accessories

CBK-08-290D-00 Cable kit
 2 x USB cables
 1 x LPT cable
 1 x SATA cable
 1 x IDE cable
 3 x COM cables