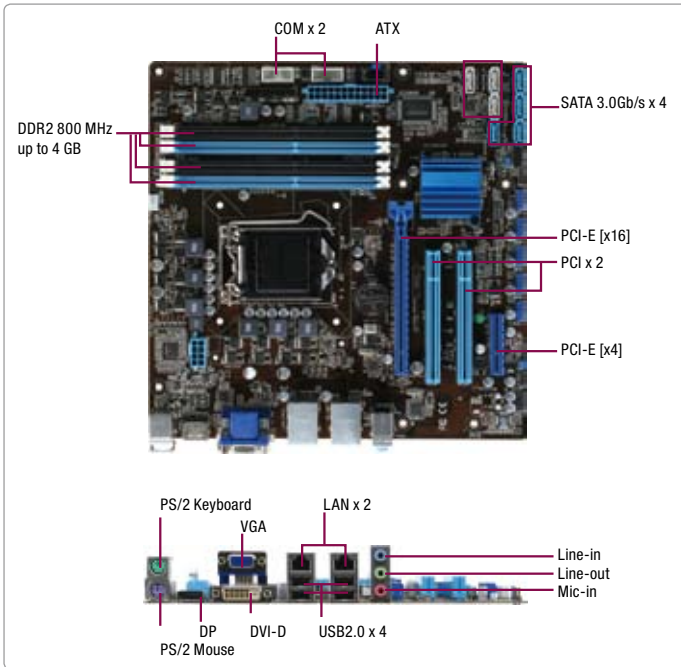


IMBM-Q67A

Micro-ATX Industrial Motherboard with Intel® 2nd Generation Core™ i7/ i5/ i3 Processor

10

Embedded & Industrial Motherboards



Features

- Intel® 2nd Generation Core™ i7/ i5/ i3 Processor
- VGA x 1, DVI x 1, DP x 1
- Gigabit Ethernet x 2
- USB2.0 x 14
- SATA 6.0Gb/s x 3 + SATA 3.0Gb/s x 4
- Multiple Expansion Slot: PCI-E [x16] x 1, PCI-E [x4] x 1, PCI x 2



Specifications

System	
Form Factor	Micro ATX
Processor	LGA 1155 Intel® 2nd Generation Core™ i7/i5/i3 Processor
System Memory	240-pin DIMM x 4 DDR3 1600/1333/1066MHz up to 32 GB
Chipset	Intel® Q67
I/O Chipset	NUVOTON NCT6776F
Ethernet	Intel® 82579LM + Realtek 8111F
BIOS	AMI Plug & Play UEFI BIOS - 64MB
Wake On LAN	LAN1: Supports Intel AMT 7.0 LAN2: Support WOL, PXE
Watchdog Timer	Programmable 1~255 steps System reset
TPM	Infineon SLB9635
H/W Status Monitoring	Temperature Monitor on CPU/Chassis Voltage Monitor on Vcore/ 5V/ 3.3V/ 12V Fan Monitor on CPU/Chassis
Expansion Interface	PCI-E [x16] x 1, PCI-E [x4] x 2, PCI x 2
Battery	Lithium Battery
Power Requirement	24-pin ATX connector x 1, 8-pin ATX 12V connector x 1
Power Consumption	—
Board Size	9.6" x 9.6" (244 mm x 244 mm)
Gross Weight	1.55 lb (0.7 Kg)
Operation Temperature	32 °F ~ 140 °F (0 °C ~ 60 °C)
Storage Temperature	-40 °F ~ 185 °F (-40 °C ~ 85 °C)
Operation Humidity	0% ~ 90% relative humidity, non-condensin
MTBF (Hours)	87,000
Display	
Graphic Engine	Intel® Graphics Media Accelerator
Resolution	Up to 2048 x 1536 @75Hz for VGA Up to 1920 x 1200 @60Hz for DVI Up to 2560 x 1600 @75Hz for DP
Output Interface	VGA, DVI, DP
I/O	
Storage	SATA 6.0 Gb/s x 3, SATA 3.0Gb/s x 4
Serial Port	RS-232 x 1, RS-232/422/485 x 1
Parallel Port	SPP/EPP/ECP
USB	USB 2.0 x 14 (10 ports at mid-board, 4 ports at back panel)
PS/2 Port	PS/2 Port x 2 (Keyboard & Mouse)
Audio	Line-in, Mic-in, Line-out, S/PDIF

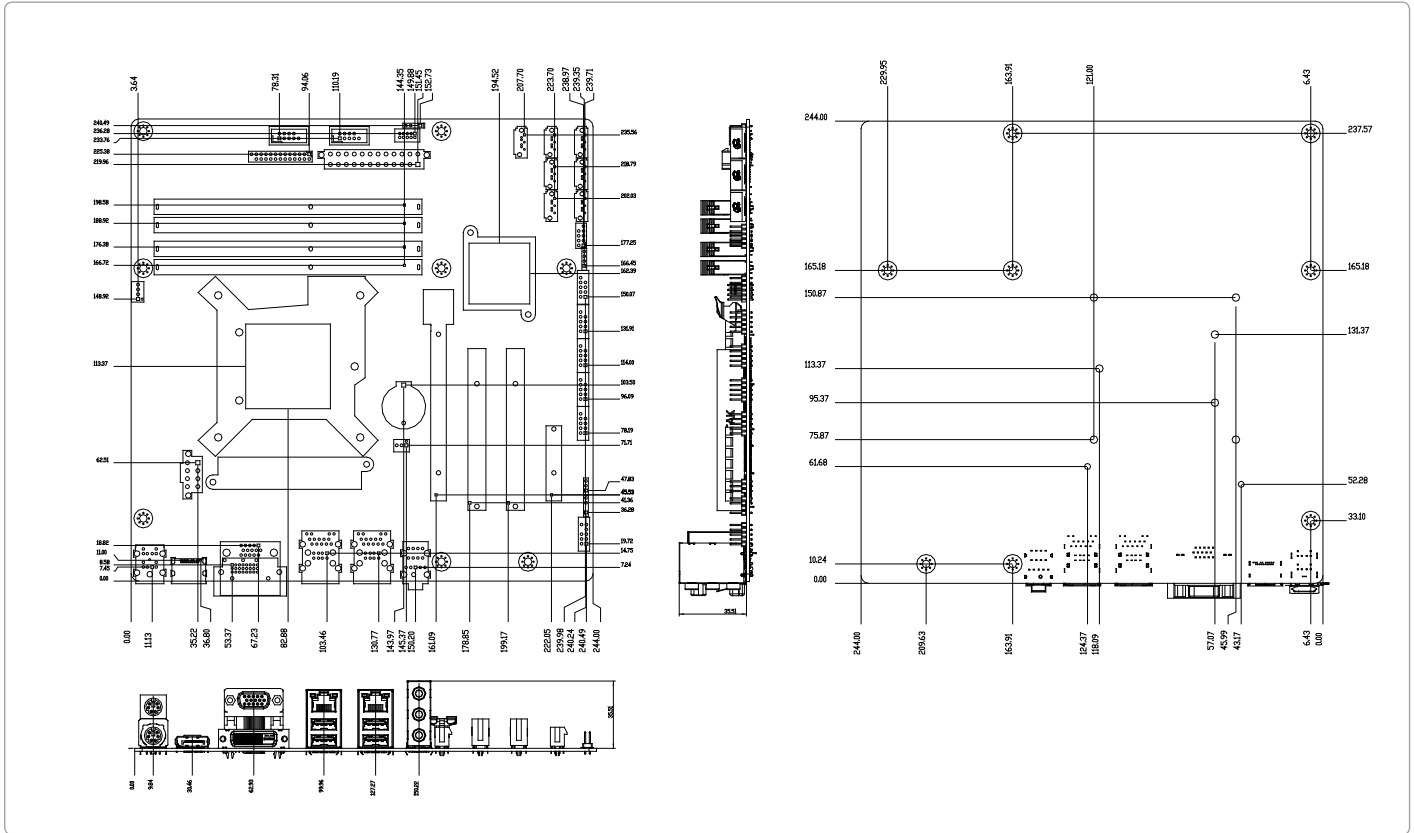
Packing List

- 1709070800
SATA Cable
- 1701100302
COM Port Cable
- I/O Shield
- Product CD
- IMBM-Q67A

IMBM-Q67A

Dimension

Unit: mm



Ordering Information

Part Number	CPU	RAM	Fan/Fanless	Display	Storage	LVDS	LAN	USB	RS-232	RS-232/422/485	Expansion Slot	Power	Temp.
IMBM-Q67A-A10-G2	Socket	DIMM	FAN	VGA/DVI/DP	SATA3 x 3 SATA2 x 4	-	GbE x 2	USB 2.0 x 14	1	1	PCIe [x16] x 1, PCIe [x4] x 1, PCI x 2	ATX	0°C ~ 60°C

Optional Accessories

- CPU Cooler
- LPT Cable
- USB2.0 Cable