

Specifications

System	
Form Factor	PCI Half-Size SBC
Processor	Intel® (Socket 478-based) Core™ 2 Duo processor, FSB 533/667/800 MHz
System Memory	200-pin DDR2 SODIMM x 2, support DDR2 533/667 up to 4 GB
Chipset	Intel® GME965 + ICH8M
Ethernet	10/100Base-TX & Gigabit Ethernet (optional), RJ-45 x 2 LAN1: Intel® 82574L (10/100/1000Base-TX) LAN2: Intel® 82566X (10/100/1000Base-TX)
BIOS	Award Plug & Play SPI BIOS – 8 Mb ROM
Expansion Interface	PCI
Watchdog Timer	1~255 steps, can be set with software on Super I/O
RTC	Internal RTC
Battery	Lithium Battery
Power Requirement	ATX 2.1 Power
Operating Temperature	32°F ~ 140°F (0°C ~ 60°C)
Board Size	7.3" x 4.8" (185mm x 122mm)
Gross Weight	0.71 lb (0.3 kg)
MTBF (Hours)	149,000
Power Consumption (Typical)	40W, with Celeron® 550 2.0 GHz/ FSB 533 MHz
Display	
	Supports CRT & LCD simultaneous display
Chipset	Enhanced Integrated Graphics
Memory	Shared memory up to 256 MB
Resolutions	1600x1200@32bpp at 100 MHz for CRT 1600x1200@24bpp for LCD
I/O	
	ICH8M + ITE IT8712F
Storage	SATA 3.0Gb/s x 3, IDE x 1, CompactFlash™ Type 2, Standard Floppy Connector x 1
Serial Port	Four COM ports: (Internal Pin Header x 4) COM 1, COM 3, COM 4: RS-232 COM 2: RS-232/422/485
Parallel Port	Supports SPP/ EPP/ ECP modes
Universal Serial Bus	USB2.0 x 7 (5x2 pin-header x 3, up to 6 USB, Type A x 1)
PS/2 Port	Keyboard x 1, Mouse x 1
Digital I/O	Supports 8-bit (Programmable)
IrDA	IrDA header x 1
Audio (Daughter Board)	Realtek ALC888 HD Codec

Features

- Intel® Core™ 2 Duo Processor, FSB 533/667/800 MHz
- Intel® GME965 + ICH8M
- SODIMM Dual-channel DDR2 533/667 Memory x 2, up to 4 GB
- Gigabit Ethernet x 2 or x 1 (Optional)
- Integrated Intel® Enhance Graphics Core, VGA Support
- HD Codec Audio Daughter Board Optional
- SATA 3.0Gb/s x 3, CompactFlash™ Type 2, ATA100 x 1
- USB2.0 x 7, RS-232/422/485 x 1, RS-232 x 3, Parallel x 1, IrDA x 1, Digital I/O
- PCI Expansion
- ATX 2.1 Power



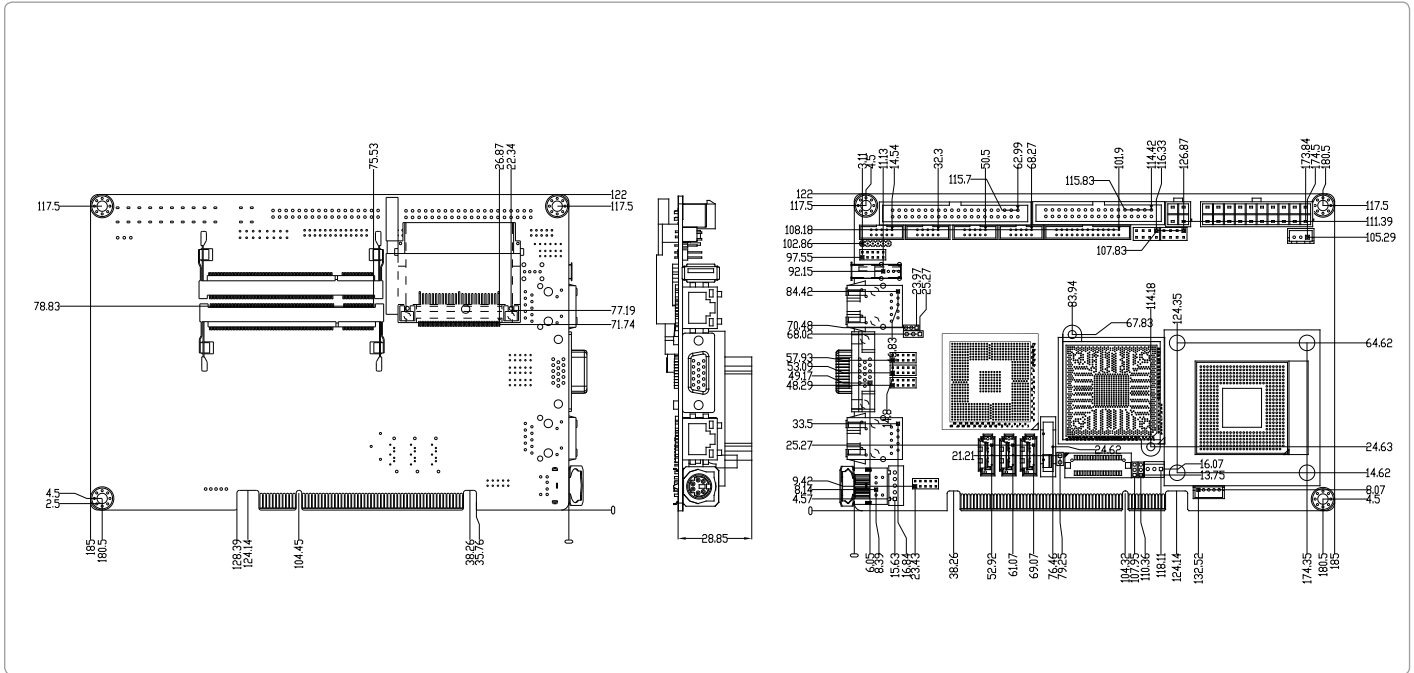
Packing List

- **1701340704**
Flat Cable, 34P, 70cm, Gray for Floppy Disk Drive
- **1701400453**
Cable, 40P 2.54mm IDC w/Nose w/Fold, 40P 2.54mm IDC w/Nose w/Fold, 45cm, Blue ATA100
- **1700060192**
Cable, 6P-6P-6P, 19cm, Ivory PS2/KB & Mouse
- **1701260307**
Flat Cable, 9P/DB9P Male & 25P DB25P Female, 10P 2mm&26P 2mm/IDC No Fold, 30cm, w/Bracket, Catch A002-015
- **1701100305**
Flat Cable, 9P/DB9P Male, 10P/2.0mm Pitch/IDC No Fold, 30cm, w/Bracket
- **1709100201**
USB Cable, 20cm 2.0mm, w/Bracket
- **1703030501**
Wire, 3P 2.5mm Housing, 3P 2.5mm Housing, 50cm
- **1709070800**
SATA Cable, 7P Pitch 1.27mm, 80cm, w/Lock
- **170110030A**
Flat Cable, 9P DB9P Male, 10P 2.00mm Pitch IDC, 30cm, w/o Fold, w/ Bracket PCI-675F
- **1759281301**
CPU Cooler Fan
- **Product CD**
- **HSB-965P**

HSB-965P

Dimension

Unit: mm



Passive Backplane Options

P/N	Description	Master Interface	Slots (PCI/ ISA/ PICMG_PCI)	Power ATX Extend Function
TF-BP-206SP-P4	Wallmount, 6-slot Backplanes, 4 PCI, Single Segment, ATX	PCI	(4/0/2)	ATX, 3-pin ATX Extend
TF-BP-205SP-P4	Wallmount, 5-slot Backplanes, 4 PCI, Single Segment, ATX	PCI	(4/0/1)	ATX, 3-pin ATX Extend
TF-BP-204SP-P3	Wallmount, 4-slot Backplanes, 3 PCI, Single Segment, AT/ATX	PCI	(3/0/1)	AT/ATX, 3-pin ATX Extend

Ordering Information

Part Number	CPU	RAM	Fan/Fanless	Display	Storage	LVDS	LAN	USB	RS-232	RS-232/422/485	Expansion Slot	Power	Temp.
TF-HSB-965P-A10-VG	Socket	SODIMM	Fan	VGA + LVDS	SATA2 x 3, IDE x 1, Floppy x 1, CF x 1	18/24-bit Dual-channel	GbE x 1	USB2.0 x 7	3	1	PCI	ATX	0°C ~ 60°C
TF-HSB-965P-A10-G2	Socket	SODIMM	Fan	VGA + LVDS	SATA2 x 3, IDE x 1, Floppy x 1, CF x 1	18/24-bit Dual-channel	GbE x 2	USB2.0 x 7	3	1	PCI	ATX	0°C ~ 60°C

Optional Accessories

- **TF-PER-U01H**
HD Codec Audio Daughter Board