

Specifications

System	
Form Factor	ISA Half-Size SBC
Processor	Intel® Celeron® M 600 MHz BGA Type Processor
System Memory	200-pin DDR2 400 SODIMM x 2, up to 2 GB
Chipset	Intel® 910GML E + Intel® ICH6M
Ethernet	Gigabit Ethernet, RJ-45 x 2 or x 1 (Optional) LAN1: Intel® 82574L (10/100/1000Base-TX) LAN2: Intel® 82574L (10/100/1000Base-TX)
BIOS	Award Plug & Play SPI BIOS – 8 Mb ROM
Expansion Interface	ISA
Watchdog Timer	1~255 steps, can be set with software on Super I/O
RTC	Internal RTC
Battery	Lithium Battery
Power Requirement	AT +5V, +12V
Operating Temperature	32°F ~ 140°F (0°C ~ 60°C)
Board Size	7.3" x 4.8" (185mm x 122mm)
Gross Weight	0.71 lb (0.3 kg)
MTBF	70,000
Power Consumption (Typical)	18W, onboard Celeron® M 600 MHz/FSB 400 MHz
Display	
	Supports CRT & LCD simultaneous display
VGA Chipset	Enhanced Integrated Graphics
Memory	Shared memory up to 256 MB
Resolutions	1600 x 1200 @ 32bpp at 100 MHz for CRT 1024 x 768 @ 24bpp for LCD
Output Interface	Supports 18-bit dual-channel LVDS
I/O	
	ICH6M + ITE IT8712F
Storage	SATA 1.5Gb/s x 2, IDE x 1, CompactFlash™ Type 2, Standard Floppy Connector x 1
Serial Port	Four COM ports: (Internal Pin Header x 4) COM 1, COM 3, COM 4: RS-232 COM 2: RS-232/422/485
Parallel Port	Supports SPP/ EPP/ ECP modes
Universal Serial Bus	USB2.0 x 5 (5x2 pin-header x 2, up to 4 USB, Type A x 1)
PS/2 Port	Keyboard x 1, Mouse x 1
Digital I/O	Supports 8-bit (Programmable)
IrDA	IrDA header x 1
Audio	AC97 Codec Audio Daughter Board Optional

Features

- Intel® Celeron® M 600 MHz BGA Type Processor
- Intel® 910GML E + Intel® ICH6M
- DDR2 400 SODIMM x 2, Up to 2 GB
- Gigabit Ethernet x 2 or x 1 (Optional)
- Integrated Intel® Enhance Graphics Core, VGA Support
- AC97 Codec Audio Daughter Board Optional
- Ultra ATA100 x 1, SATA 1.5Gb/s x 2, CompactFlash™ Type 2 x 1
- USB2.0 x 5, RS-232/422/485 x 1, RS-232 x 3, Parallel x 1, IrDA x 1, Digital I/O
- ISA Expansion
- +5V, +12V Operation, AT Power



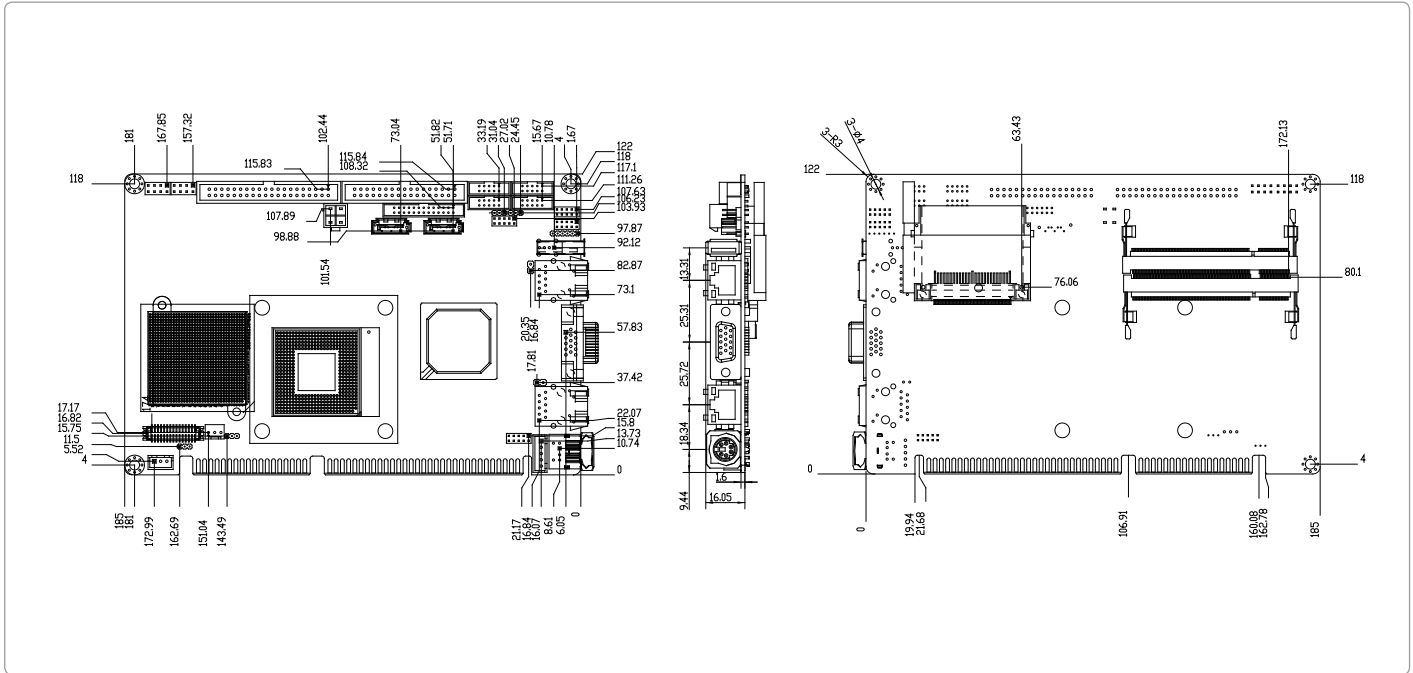
Packing List

- **1701340704**
Flat Cable, 34P, 70cm, Gray for Floppy Disk Drive
- **1701400453**
Cable, 40P 2.54mm IDC with Nose with Fold, 40P 2.54mm IDC with Nose with Fold, 45cm, Blue ATA100
- **1700060192**
Cable, 6P-6P-6P, 19cm, Ivory PS2/KB & Mouse
- **1701260307**
Flat Cable, 9P/DB9P Male & 25P DB25P Female, 10P 2mm & 26P 2mm/IDC No Fold, 30cm, with Bracket, Catch A002-015
- **1701100305**
Flat Cable, 9P/DB9P Male, 10P/2.0mm Pitch/IDC No Fold, 30cm, with Bracket
- **1709100201**
USB Cable, 20cm 2.0mm, with Bracket
- **1703030501**
Wire, 3P 2.5mm Housing, 3P 2.5mm Housing, 50cm
- **1709070800**
SATA Cable, 7P Pitch 1.27mm, 80cm, with Lock
- **Product CD**
- **HSB-910I**

HSB-910I

Dimension

Unit: mm



Passive Backplane Options

P/N	Description	Master Interface	Slots (PCI/ ISA/ PICMG_PCI)	Power ATX Extend Function
TF-BP-204SI	Wallmount, ISA, 4-slot Backplane, 4 ISA, Single Segment, AT	ISA	(0/4/0)	AT
TF-BP-206SI	Wallmount, ISA, 6-slot Backplane, 6 ISA, Single Segment, AT/ATX	ISA	(0/6/0)	AT/ATX
TF-BP-214SI	Rackmount, ISA, 14-slot Backplane, 14 ISA, Single Segment, AT	ISA	(0/14/0)	AT

Ordering Information

Part Number	CPU	RAM	Fan/Fanless	Display	Storage	LVDS	LAN	USB	RS-232	RS-232/422/485	Expansion Slot	Power	Temp.
TF-HSB-910I-A10-G2	Intel® M600 BGA	SODIMM	Fanless	VGA + LVDS	SATA x 2, IDE x 1, Floppy x 1, CF x 1	18-bit Dual-channel	GbE x 2	USB2.0 x 5	3	1	ISA	+5V, +12V, AT	0°C ~ 60°C

Optional Accessories

- **TF-PER-U00A**
AC97 Audio Daughter Board