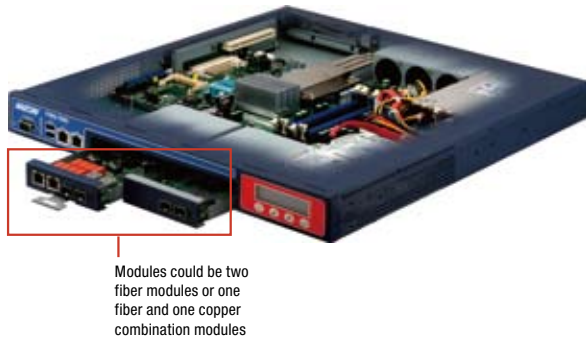
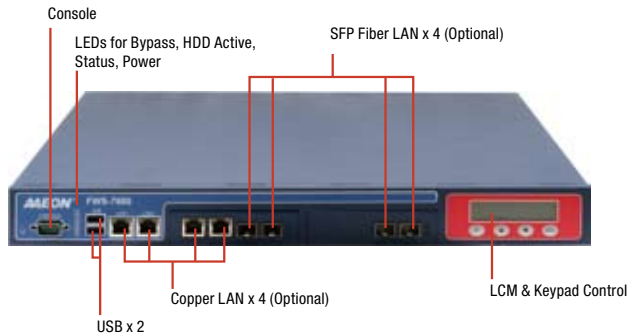


FWS-7600

1U Intel® Xeon Quad Core™ Network Appliance With 10 LAN Ports



Features

- 1U 10 LAN Ports Network Appliance
- Intel® Xeon Quad Core™ 3200 Series & Dual Core™ 3000 Series CPU
- 240-Pin Dual-Channel ECC DDR2 667 SDRAM DIMM x 4 Up To 8 GB
- Fiber Ethernet x 4 & Optional Gigabit Ethernet x 6 (4 Ports Bypass Function)
- Ultra ATA 100 Port x 1 & SATA 3.0Gb/s x 2
- CompactFlash™ Type 2 x 1 & Mini-PCI Type 3 x 1
- 300W Power With Auto Range Input
- USB2.0 x 6 (Pin Headers x 4, Type A Port x 2 On Front Panel), Parallel LCM With Keypad x 1 & RS-232 Console x 1 On Front Panel
- Watchdog Function 1~255 Sec.
- Internal 3.5" Disk Drive Bay x 1



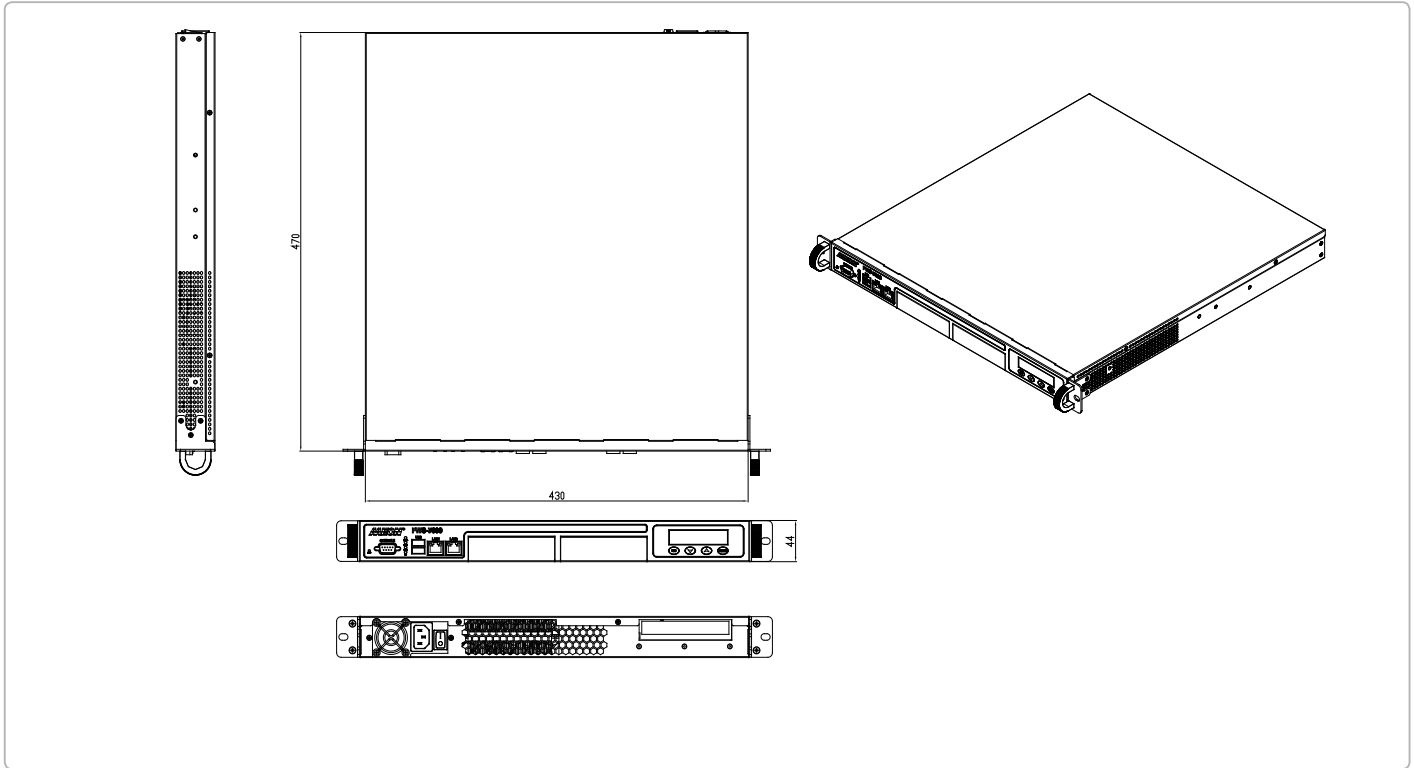
Specifications

System		
Form Factor	1U 10-port Network Appliance	
Processor	Intel® Xeon Quad Core™ 3200 Series & Dual Core™ 3000 Series CPU	
System Memory	240-Pin ECC DDR2 667 DIMM Socket x 4, total up to 8 GB Support Dual Channel	
Chipset	Intel® 3010 + Intel® 82801FB (ICH7R)	
Ethernet	Onboard	10/100/1000Base-TX LAN x 2 w/ Intel® 82573 (Bypass x 2) Gigabit Ethernet x 2 w/ Intel® 82573 + SFP x 2 w/ Intel® 82571EB (TF-PER-C31L-A10-01) SFP x 2 w/ Intel® 82571EB - LAN Module (TF-PER-C31L-A10-02)
	Slot 1 (optional)	10 Gigabit Ethernet SFP x 2 w/ Intel® 82599ES - LAN Module (TF-PER-C35L-A10-00) Gigabit Ethernet Cooper x 4 w/ Intel® 82574 (Bypass x 2) - LAN Module (TF-PER-C33L-A10-01)
	Slot 2 (optional)	SFP x 2 w/ Intel® 82571EB - LAN Module (TF-PER-C31L-A10-02)
		10 Gigabit Ethernet SFP x 2 w/ Intel® 82599ES - LAN Module (TF-PER-C35L-A10-00) Gigabit Ethernet Cooper x 4 w/ Intel® 82574 (Bypass x 2) - LAN Module (TF-PER-C33L-A10-01)
BIOS	Award Plug & Play FWH BIOS – 4 Mb ROM	
IDE Interface	ATA 100 x 1 channel	
Serial ATA	SATA 3.0Gb/s x 2	
SSD	CompactFlash™ Type 2 Connector (ATA Mode)	
Expansion Interface	Mini-PCI Type 3 Socket	
Watchdog Timer	1~255 steps, can be set with software on Super I/O	
RTC	Internal RTC	
Storage	Internal: 3.5" Hard Disk (SATA or IDE) x 1	
System Fan	4cm Ball Bearing Fan (optional)	
Front I/O Panel	Power LED x 1 Bypass LED x 1 Status LED x 1 HDD Active LED x 1 LAN LEDs x 20 (optional) USB x 2 LAN x 10 (optional) DB-9 connector x 1 LCM Display x 1 Reset Button x 1	
Color	Blue	
LCM	16 x 2 characters with 4 keypad control	
Power Supply	ATX 300W, auto range	
Dimension	16.9"(W) x 18.5"(D) x 1.7"(H) (430mm x 470mm x 44mm) — Chassis 9.1"(W) x 12.2"(D) (230mm x 311mm) — Board	
Power Consumption	88W, Intel® Xeon X3210 2.13 GHz	

FWS-7600

Dimension

Unit: mm



MTBF (Hours)	55,000
I/O	
Serial Port	COM ports x 2: (Internal Pin Header x 1) COM 1: RS-232 COM 2: RS-232 (Pin Header)
K/B and Mouse	Reserved pin header
Universal Serial Bus	USB2.0 x 6: Dual TYPE-A Connector on front panel x 2 Pin Headers x 4 (Internal)
Rear I/O panel	PCI-E (x1)/ PCI-X/ PCI Expansion slot x 1 (optional)
Environment	
Operating Temperature	32°F ~ 104°F (0°C ~ 40°C)
Storage temperature	-4°F ~ 140°F (-20°C ~ 60°C)
Operating humidity	10 ~ 80%
Storage humidity	10 ~ 80% @ 40°C, non-condensing
Vibration	0.5 g rms/ 5 ~ 500 Hz/ operation (3.5" HDD) 1.5 g rms/ 5 ~ 500 Hz/ non operation
Shock	10 G peak acceleration (11 m sec. duration), operation 20 G peak acceleration (11 m sec. duration), non operation

Packing List

- **1702151200**
HDD Power Cable x 1
- **1709070200**
SATA Cable x 2
- **1700091803**
D-SUB 9-pin Cable x 1
- **9761810006**
Ear Bracket Module
- **M918100010**
CPU Heatpipe Module
- **Product CD**
- **FWS-7600**

Ordering Information

- **TF-FWS-7600S2-H30-A10**
Firewall Platform, 3010 + ICH7R, 2 Copper LAN Modules, Riser Card, 1U, ATX, 300W, PSU, Blue

Optional Accessories

- **1700060150**
PS2 KB/MS Cable
- **M02666600**
Slide x 2, for Rackmount usage
- **TF-PER-V05V-A11**
Mini-PCI VGA Module
- **TF-PER-C31L-A10-01**
2 Fiber LAN + 2 Cooper LAN Module
- **TF-PER-C31L-A10-02**
2 Fiber LAN Module
- **TF-PER-C33L-A10-01**
4 Cooper LAN Module
- **1702031803**
Power Cord, 3P-250V/10A, 180D, 1.8M, VDE, YP22/YP12
- **1702031802**
Power Cord, 3P-250V/10A, 180D, 1.8M, USA, YP22/YP12
- **170203180E**
Power Cord, 3P-25V/7A, 180D, 1.8M, PSE, YP12/YP12
- **1709100201**
USB Cable