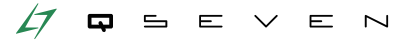
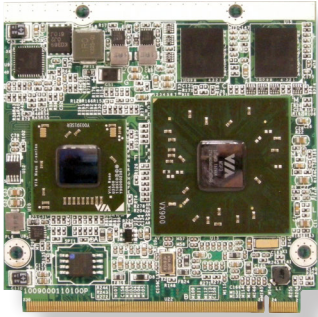


EmQ-v900



VIA Nano™ Qseven® CPU Module



Features

- Soldered onboard VIA Nano™ U3500 Processor
- Integrated Gigabit Ethernet
- Soldered onboard 1GB DDR3 SDRAM
- Single Channel 24-bit LVDS, DisplayPort supported
- RAID 0, 1 supported
- **Extended Operating Temp.: -20 ~ 70°C**

System

CPU	Soldered onboard VIA Nano™ U3500 1.0GHz Processor
Memory	Soldered onboard 1GB DDR3 SDRAM
Chipset	VIA VX900
BIOS	AMI PnP Flash BIOS
Watchdog Timer	1~255 levels reset

I/O

USB Port	8 x USB 2.0 host ports, port1 can be set as USB 2.0 client port
Expansion Bus	2 x PCIe x1 Generation 2 lanes LPC interface, SDIO
Storage	2 x Serial ATA ports with 300MB/s HDD transfer rate; RAID 0, 1 supported
Ethernet Chipset	1 x Realtek PCIe RTL8111 GbE controller
Audio	HD Audio link

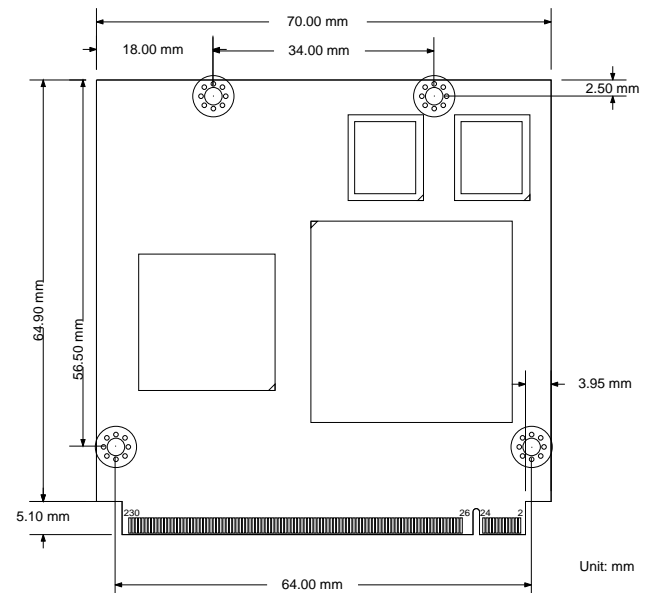
Display

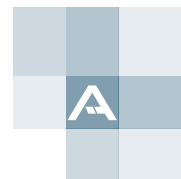
Graphic Chipset	Integrated Chrome9™ HD DX9 controller
Graphic Interface	LCD: Single Channel 24-bit LVDS, resolution up to 1366 x 768 DisplayPort

Mechanical & Environmental

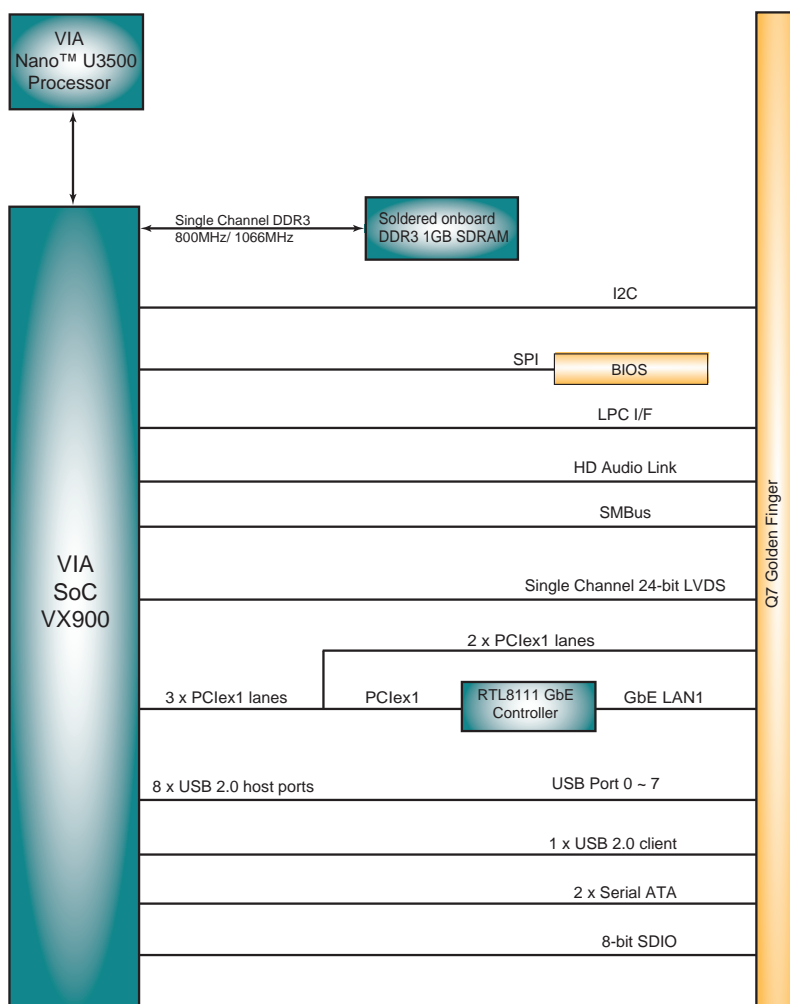
Power Requirement	+5V, 5VSB
Power Consumption	1.55A@+12V (Typical)
Operating Temp.	-20 ~ 70°C (-4 ~ 158°F)
Operating Humidity	10 ~ 95% @ 70°C (non-condensing)
Dimensions (L x W)	70 x 70 mm (2.76" x 2.76")

Dimensions





Block Diagram



Ordering Information

EmQ-v900	VIA Nano™ U3500 1.0GHz Qseven® CPU module
----------	---

Optional Accessories

HS-v900-F1	Heat spreader (69.3x67x6mm)
------------	-----------------------------

HS-0000-W3	Universal evaluation heatsink kit for Qseven® CPU module (70x70x30mm)
------------	---

PBQ-3000	Qseven® EPIC carrier board
----------	----------------------------

CBK-06-3000-00	Cable kit
	1 x USB cable
	1 x USB2 cable
	2 x COM-port cables
	1 x SATA cable
	1 x SATA power cable