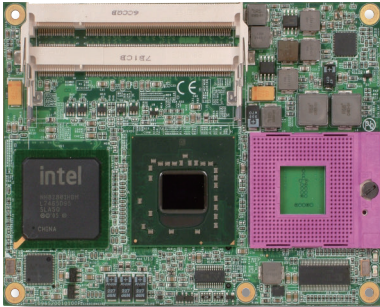


# EmETXe-i9652

## Intel® Core™ 2 Duo Processor COM Express® Basic Type 2 CPU Module



### Features

- Intel® Socket P Mobile Processor supported
- Integrated Gigabit Ethernet
- Memory Capacity up to 4GB supported
- Dual Channels 24-bit LVDS and Analog RGB
- **Extended Operating Temp.: -20 ~ 70°C**

### System

|         |                                                                                                              |
|---------|--------------------------------------------------------------------------------------------------------------|
| CPU     | Intel® Core™ 2 Duo Processor, supporting FSB up to 800MHz<br>Intel® Celeron® M Processor with 533/667MHz FSB |
| Memory  | 2 x 200-pin DDR2 SO-DIMM sockets, supporting 533/667MHz SDRAM up to 4GB                                      |
| Chipset | Intel® GME965 + ICH8M                                                                                        |
| BIOS    | AMI PnP Flash BIOS                                                                                           |

### I/O

|                  |                                                     |
|------------------|-----------------------------------------------------|
| USB Port         | 8 x USB 2.0 ports                                   |
| Digital I/O      | 8-bit programmable digital input/output             |
| Expansion Bus    | 5 x PCIe x1 lanes                                   |
|                  | 1 x PCIe x16 lanes (graphics only)                  |
|                  | 4 x PCI masters                                     |
|                  | LPC (Low Pin Count) interface                       |
| Storage          | 1 x Ultra ATA, supporting 2 IDE devices             |
|                  | 3 x Serial ATA ports with 300MB/s HDD transfer rate |
| Ethernet Chipset | 1 x Realtek RTL8111 PCIe GbE controller             |
| Audio            | HD Audio link                                       |

### Display

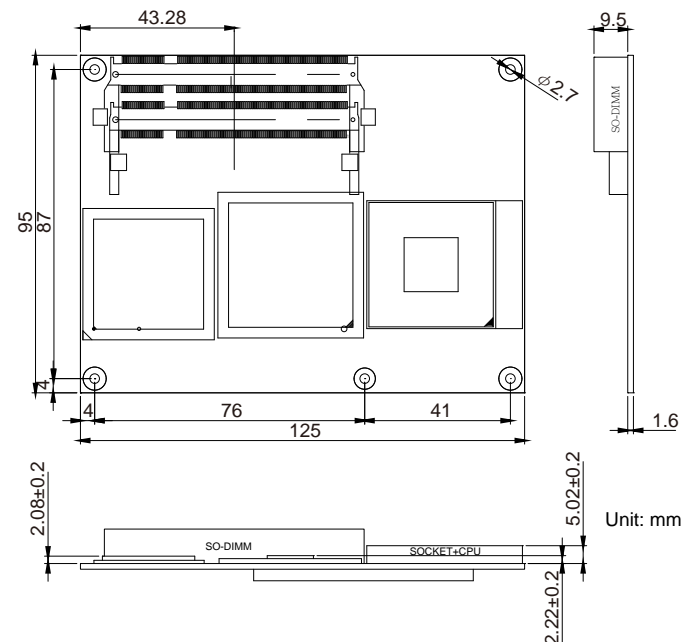
|                   |                                                             |
|-------------------|-------------------------------------------------------------|
| Graphic Chipset   | Integrated Intel® Graphics Media Accelerator X3100          |
| Graphic Interface | Analog RGB that supports resolution up to 2048 x 1536 @60Hz |
|                   | TV-out that supports NTSC/PAL up to HDTV 1080P              |
|                   | LCD: Dual Channels 24-bit LVDS                              |

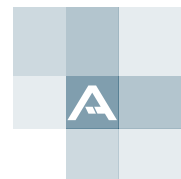
Recommended CPU List:  
 T7500 2.2GHz Core™ 2 Duo Processor  
 550 2.0GHz Celeron® M Processor

### Mechanical & Environmental

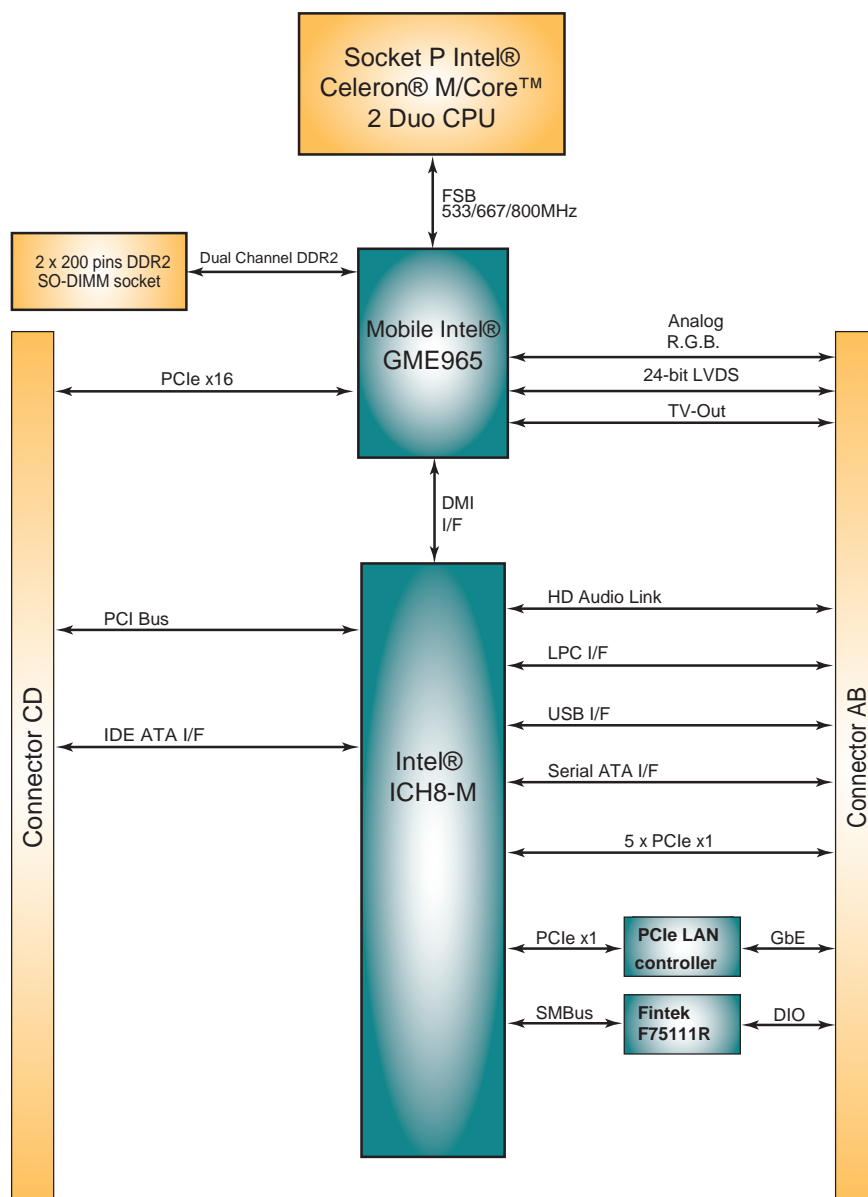
|                    |                                             |
|--------------------|---------------------------------------------|
| Power Requirement  | +12V, 5VSB                                  |
| Power Consumption  | 2.99A@+12V with Core™ 2 Duo T7500 (Typical) |
| Operating Temp.    | -20 ~ 70°C (-4 ~ 158°F)                     |
| Operating Humidity | 10 ~ 95% @ 70°C (non-condensing)            |
| Dimensions (L x W) | 125 x 95 mm (4.9" x 3.7")                   |

### Dimensions





## Block Diagram



### Ordering Information

|              |                                                                |
|--------------|----------------------------------------------------------------|
| EmETXe-i9652 | Socket P Intel® Core™ 2 Duo/Celeron® M COM Express® CPU module |
|--------------|----------------------------------------------------------------|

### Optional Accessories

|                 |                                                                                     |
|-----------------|-------------------------------------------------------------------------------------|
| HS-9455-C3      | Heatsink with fan for socket type CPU module (125 x 96 x 39 mm)                     |
| PBE-1700-W R1.3 | COM Express® Type 2 evaluation board in ATX form factor with W83627 Super IO        |
| CBK-04-1700-00  | Cable kit<br>1 x SATA cable<br>1 x COM-port cable<br>1 x FDD cable<br>1 x IDE cable |