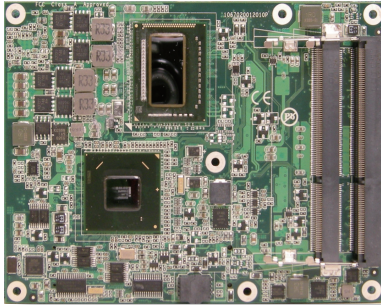


EmETXe-i67M2/ i65M2

2nd Generation Intel® Core™/ Celeron® Processor
 COM Express® Basic Type 6 CPU Module



Features

- Soldered onboard 2nd Generation Intel® Core™ i7-i2610UE/ Celeron® 827E
- Integrated Gigabit Ethernet
- Dual Channels 24-bit LVDS, Analog RGB, and 3 x DDI Ports
- Dual Independent Displays supported
- RAID 0, 1, 5, 10 (only for EmETXe-i67M2) supported
- Intel® Active Management Technology (Intel® AMT) supported
- **Extended Operating Temp.: -20 ~ 70°C**

System

Processor	Soldered onboard 2 nd Generation Intel® Core™ Processor i7-2610UE 1.5GHz i7-2715QE 2.1GHz Celeron® Processor 827E 1.4GHz
Chipset	Intel® PCH QM67 for EmETXe-i67M2-2610UE Intel® PCH HM65 for EmETXe-i65M2-827E
Memory	2 x DDR3 SO-DIMM sockets, supporting up to 16GB 1066MT/s SDRAM
BIOS	AMI BIOS
Watchdog Timer	1~255 levels reset

I/O

USB 2.0	8 x USB 2.0 ports
Expansion	7 x PCIe1 Gen.2, 1 x PCIe16 Gen3, LPC
Storage	2 x Serial ATA ports with 300MB/s HDD transfer rate 2 x Serial ATA ports with 600MB/s HDD transfer rate
Ethernet Chipset	1 x Intel® 82579LM PCIe GbE PHY
Digital I/O	8-bit Programmable
Audio	HD link
TPM Function	TPM supported (OEM request)

Display

Graphic Chipset	Integrated Intel® HD Graphics 3000
Graphic Interface	Analog RGB/DVI: Analog RGB, with resolution up to 2048x1536 LCD: Dual Channels 24-bit LVDS, with resolution up to 1920x1200 DDI port: 3 x DDI ports Dual independent displays supported

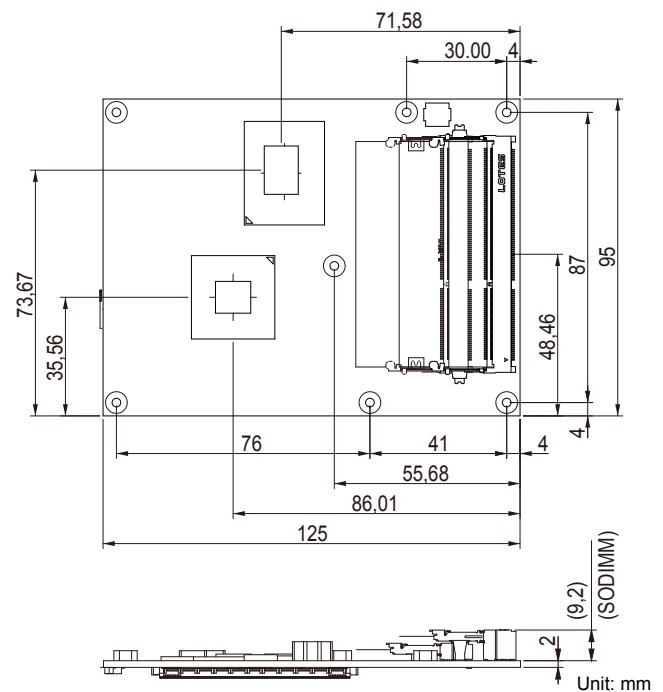
OS Support

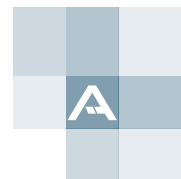
Windows XP 32/64-bit
Windows 7 32-bit/64-bit
Linux: Ubuntu

Mechanical & Environmental

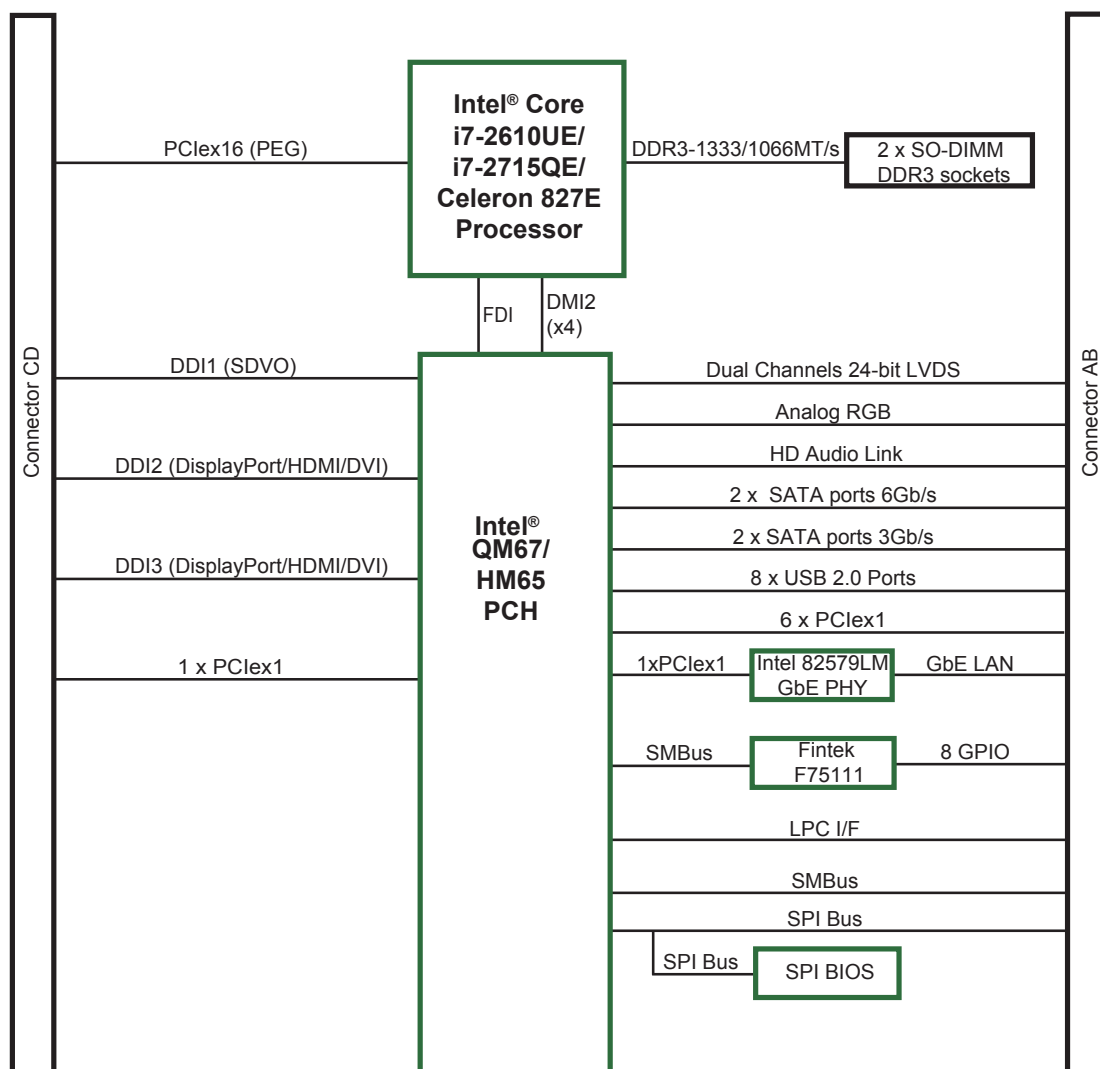
Power Requirement	DC 12V, 5VSB
Power Consumption	2.12A@12V with i7-2610UE (Typical, with PBE-1702)
Operating Temp.	-20 ~ 70°C (-4 ~ 158°F)
Operating Humidity	10 ~ 95% @ 70°C (non-condensing)
Dimension (L x W)	125 x 95 mm (4.9" x 3.7")

Dimensions





Block Diagram



Ordering Information

EmETXe-i67M2-2610UE 2nd Generation Intel® Core™ i7-2610UE/ QM67 COM Express® Basic Type 6 CPU module

EmETXe-i67M2-2715QE (OEM request) 2nd Generation Intel® Core™ i7-2715QE/ QM67 COM Express® Basic Type 6 CPU module

EmETXe-i65M2-827E Intel® Celeron® 827E/ HM65 COM Express® Basic Type 6 CPU module

Optional Accessories

HS-65M2-F2 Heat spreader 95x95x11mm

HS-0000-W4 Universal evaluation heat sink kit with thermal pad 125x95x22mm, only used on a flat-type heat spreader

PBE-1702 COM Express® Type 6 evaluation carrier board with Super IO F71869ED in ATX form factor

CBK-04-1702-00 Cable Kit
 1 x SATA cable
 2 x Serial port cables
 1 x USB cable