

EmCORE-i9457

Intel® Core™ 2 Duo 3.5" Compact Board



Features

- Support Intel® Socket M Mobile Processors
- Integrated Gigabit Ethernet
- Dual Channels 24-bit LVDS, and Analog RGB
- Support Dual Independent Displays
- **Extended Operating Temp.: -20 ~ 70°C**

System

CPU	Intel® Core™ 2 Duo/Core™ Duo processor with 667MHz FSB Intel® Celeron® M processor with 533MHz FSB
Memory	1 x 200-pin DDR2 SO-DIMM socket, supporting 533MHz SDRAM up to 2GB
Chipset	Intel® 945GME + ICH7M
BIOS	Phoenix-Award PnP Flash BIOS
Watchdog Timer	1~255 levels reset

I/O

I/O Chip	Winbond W83627HG
Serial Port	2 x COM ports (1 x RS-232, 1 x RS-232/422/485 selectable)
Parallel Port	SPP/EPP/ECP mode selectable
USB Port	6 x USB 2.0 ports
KB/MS	1 x 6-pin Mini-DIN connector for keyboard and mouse (PS/2 standard via Y-cable)
Expansion Bus	1 x Mini PCI socket
Storage	1 x Ultra ATA, supporting 2 IDE devices
	1 x Serial ATA ports with 150MB/s HDD transfer rate
	1 x CompactFlash Type II socket
	1 x Floppy disk drive, shared with parallel port
Ethernet Chipset	1 x Realtek RTL8111 PCIe GbE controller
Audio Interface	Realtek ALC655 6 Channel AC97 Audio Codec, Mic-in/Line-in/Line-out

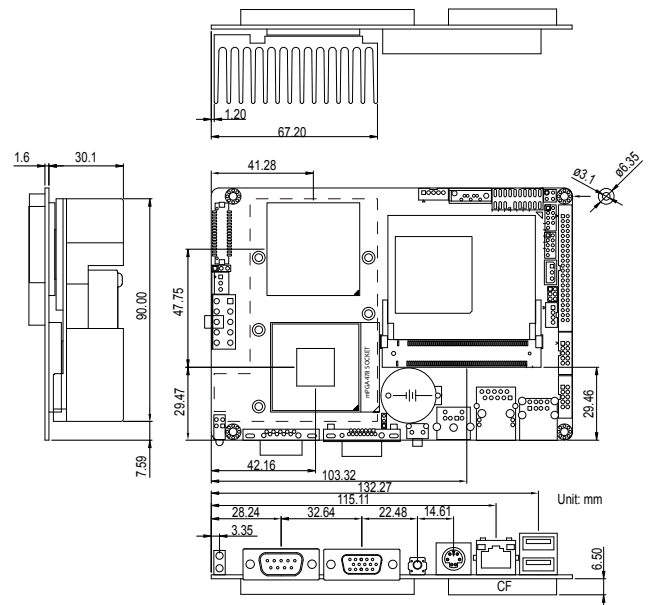
Display

Graphics Chipset	Integrated Intel® Graphics Media Accelerator 950
Graphics Interface	Analog RGB supports resolution up to 2048 x 1536 @60Hz LCD: Dual Channels 24-bit LVDS

Mechanical & Environmental

Power Connector	2 x 5-pin ATX power connector
Power Consumption	6.06A@+5V, 0.43A@+12V, 0.3A@+3.3V with Intel® Core™ 2 Duo T7400 2.16GHz (Typical)
Operating Temp.	-20 ~ 70°C (-4 ~ 158°F)
Operating Humidity	10 ~ 95% @ 70°C (non-condensing)
Dimensions (L x W)	146 x 102 mm (5.7" x 4")

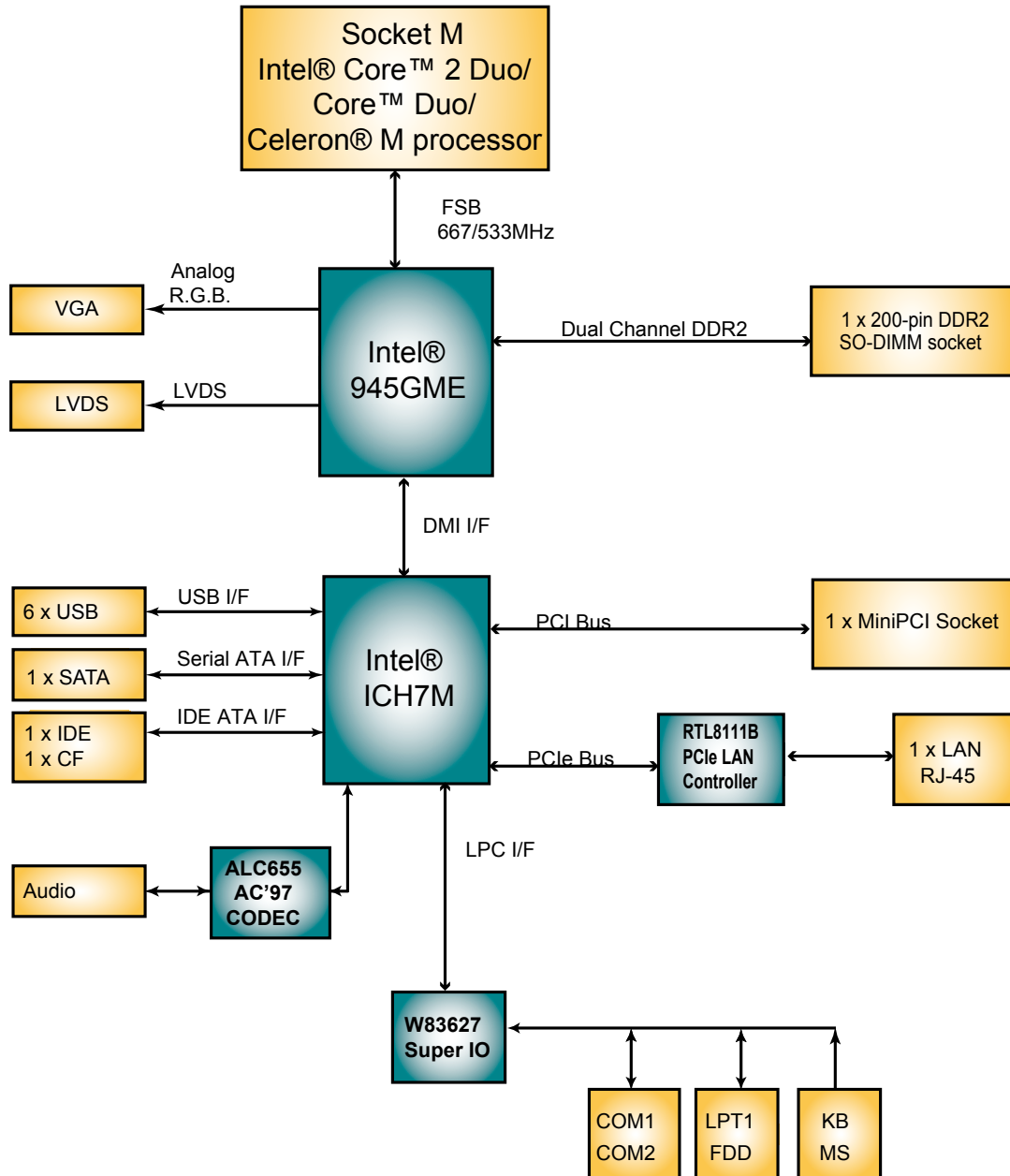
Dimensions



Recommended CPU List:

- T7400 2.16GHz Core™ 2 Duo Processor
- T2500 2.0GHz Core™ 2 Duo Processor
- 530 1.73GHz Celeron® Processor
- 440 1.86GHz Celeron® M Processor

Block Diagram



Ordering Information

EmCORE-i9457VLG Socket M Intel® Core™ 2 Duo/Core™ Duo/Celeron® M 3.5" Compact Board

Optional Accessories

CBK-08-9457-00

- Cable kit
- 1 x audio cable
 - 1 x COM port cable
 - 1 x LPT to FDD cable
 - 1 x IDE cable
 - 1 x LPT cable
 - 1 x KB & MS cable
 - 1 x SATA cable
 - 2 x USB cables