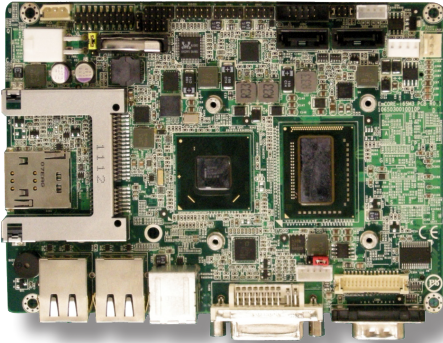


EmCORE-i65M3

Intel® Celeron® Processor 827E 3.5" Compact Board



Features

- Soldered onboard Intel® Celeron® Processor 827E
- Dual Gigabit Ethernet Ports
- Dual-Channel 24-bit LVDS, and DVI-I
- Dual Independent Displays supported
- RS-485 Auto-flow Control supported
- Integrated SIM Socket for Mobile Telecommunication
- **Extended Operating Temp.: -20 ~ 70°C**

System

CPU	Soldered onboard Intel® Celeron® Processor 827E 1.4GHz
Memory	1 x DDR3 SO-DIMM socket, supporting SDRAM up to 4GB
Chipset	Intel® PCH HM65
BIOS	AMI PnP Flash BIOS
Watchdog Timer	1~255 levels reset

I/O

Super IO Chipset	Fintek F71869ED
Serial Port	2 x COM ports: COM1: RS-232, COM2: RS-232/422/485 selectable, upgradable to 6 x COM ports via SCDB-1293
USB Port	6 x USB 2.0 ports
Digital I/O	16-bit programmable digital input/output via SCDB-349R
Expansion Bus	1 x Mini-card socket LPC interface
Storage	2 x Serial ATA ports with 600MB/s HDD transfer rate 1 x CFAST socket
Ethernet Chipset	2 x Intel® 82583V PCIe GbE controllers
Audio	Realtek ALC662 HD Audio CODEC, MIC-in/Line-out/Line-in

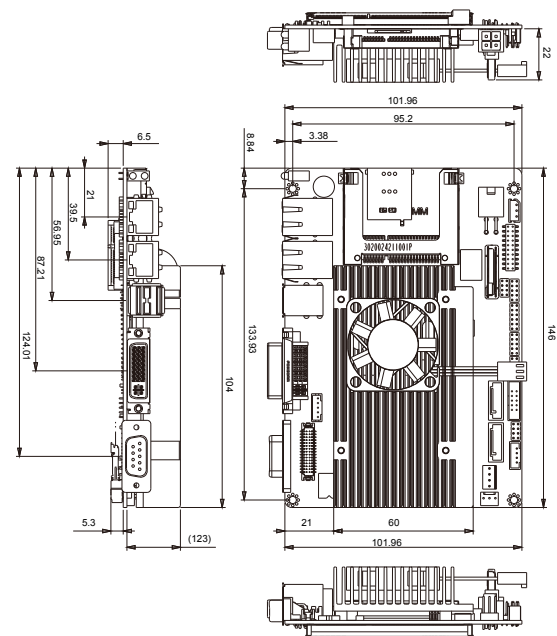
Display

Graphic Chipset	Integrated Intel® HD Graphics 3000
Graphic Interface	DVI-I: Analog RGB up to 2048 x 1536 @60Hz or TMDS up to 1920 x 1200 LCD: Dual-Channel 24-bit LVDS Dual independent displays supported

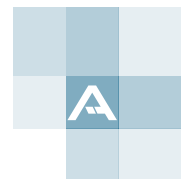
Mechanical & Environmental

Power Requirement	+12V DC
Power Consumption	3.4A@+12V (Typical)
Operating Temp.	-20 ~ 70°C (-4 ~ 158°F)
Operating Humidity	10 ~ 95% @ 70°C (non-condensing)
Dimensions (L x W)	146 x 102 mm (5.7" x 4.0")

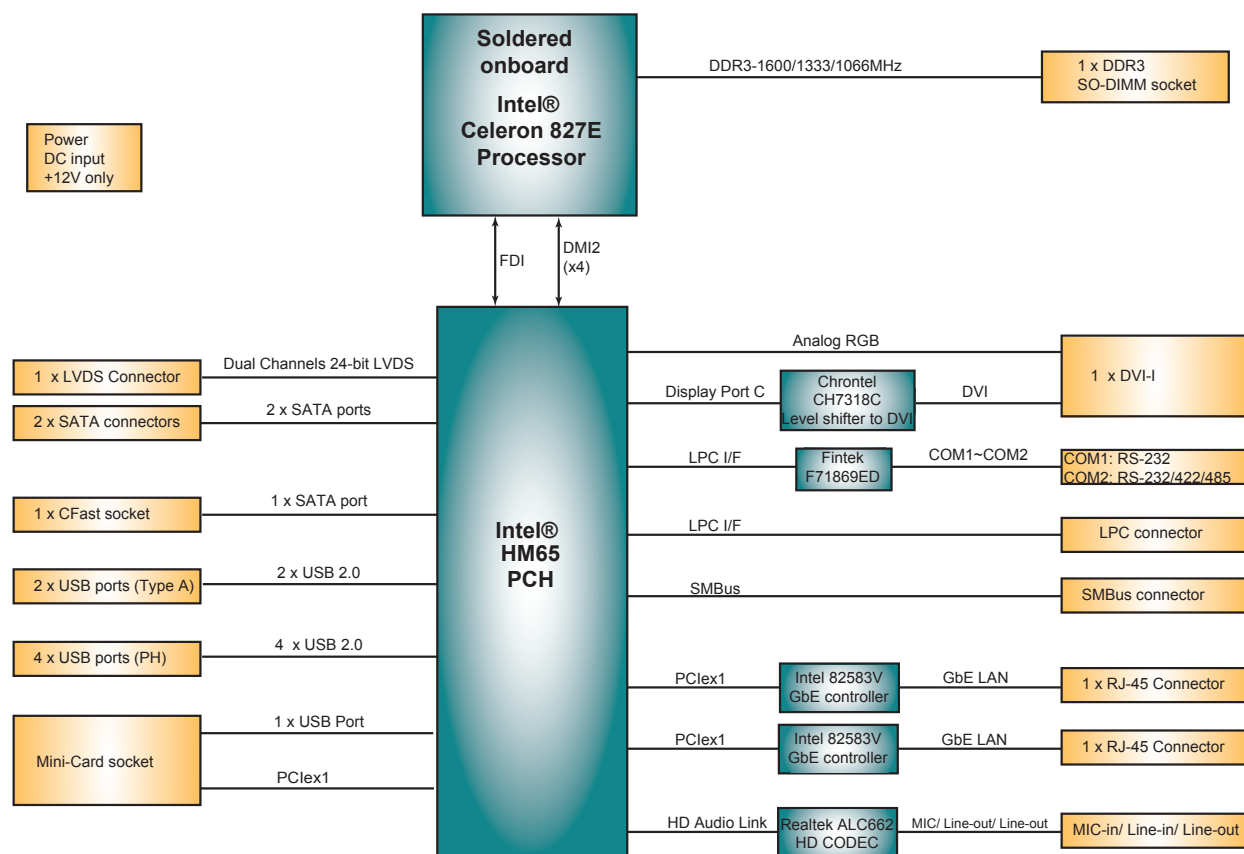
Dimensions



Unit:mm



Block Diagram



Ordering Information

EmCORE-i65M3-827E	Intel® Celeron® Processor 827E 3.5" Compact Board
-------------------	---

Optional Accessories

FCDB-1293	4 x COM ports, 8-bit digital I/O daughterboard
FCDB-349R	16-bit digital I/O board
CBK-06-65M3-00	Cable Kit 2 x SATA cables 1 x Audio cable 1 x COM-port cable 2 x USB cables