

EmCORE-i2708

Intel® Atom™ N270 3.5" Compact Board



Features

- **Fanless Design**
- Soldered Onboard Intel® Atom™ N270 Processor
- Dual Gigabit Ethernet Ports
- 18/36-bit LVDS1, 24/48-bit LVDS2, TV-Out, and Analog RGB
- Dual Independent Displays

System

CPU	Intel® Atom™ N270 1.6GHz processor with 533MHz FSB
Memory	1 x 200-pin DDR2 SO-DIMM socket, supporting 533MHz SDRAM up to 1GB
Chipset	Intel® 945GSE + ICH7M
BIOS	Phoenix-Award PnP Flash BIOS
Watchdog Timer	1~255 levels reset

I/O

Serial Port	2 x COM ports (1 x RS-232, 1 x RS-232/422/485 selectable)
Parallel Port	SPP/EPP/ECP mode selectable
USB Port	4 x USB 2.0 ports
KB/MS	6-pin Mini-DIN connector for keyboard and mouse (PS/2 standard via Y-cable)
Digital I/O	8-bit programmable Digital Input/Output
Expansion Bus	1 x Mini PCI socket
Storage	2 x Serial ATA ports with 150MB/s HDD transfer rate 1 x CompactFlash Type II socket
Ethernet Chipset	2 x Realtek 8111 PCIe GbE controllers
Audio Interface	Realtek ALC655 6 Channel AC97 Audio Codec, Mic-in/Line-in/Line-out

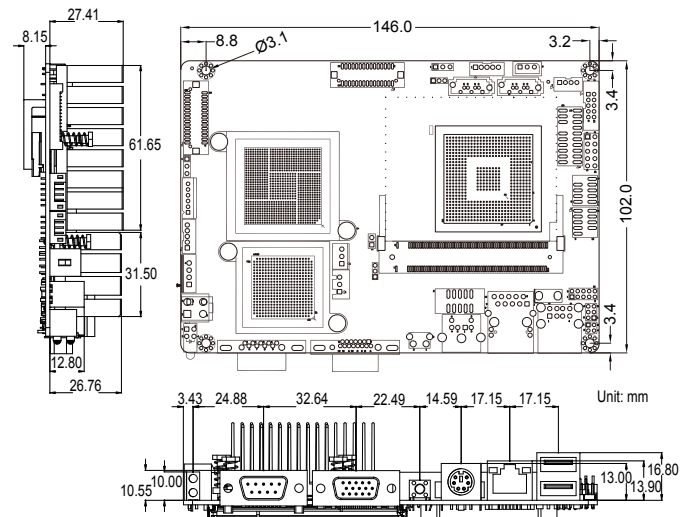
Display

Graphics Chipset	Integrated Intel® Graphics Media Accelerator 950 Analog RGB: support resolution up to 2048 x 1536 @60Hz
Graphics Interface	LCD: Dual Channels 18-bit LVDS1 & 24-bit LVDS2 TV-out: NTSC/PAL, resolution up to 1024 x 768 Support Dual Independent Displays

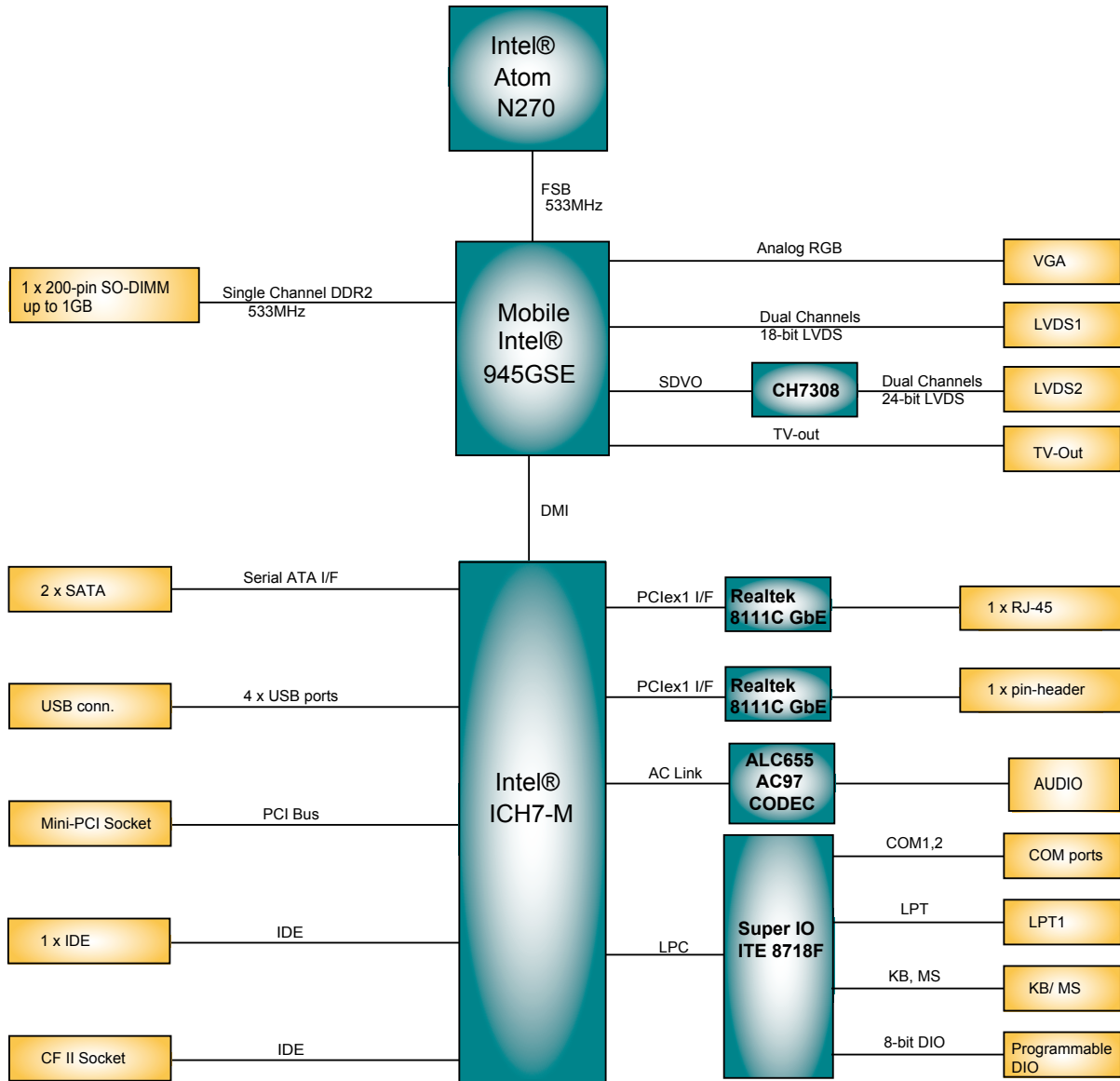
Mechanical & Environmental

Power Requirement	ATX +12V input
Power Consumption	0.94A@+12V (Typical)
Operating Temp.	0 ~ 60°C (32 ~ 140°F)
Operating Humidity	10 ~ 95% @ 60°C (non-condensing)
Dimension (L x W)	146 x 102 mm (5.7" x 4")

Dimensions



Block Diagram



Ordering Information

EmCORE-i2708 Intel® Atom™ N270 1.6GHz 3.5" Compact Board w/ Dual LVDS

Optional Accessories

CBK-07-2708-00

Cable kit

- 1 x USB cable
- 1 x Ethernet cable
- 1 x audio cable
- 1 x COM cable
- 1 x LPT cable
- 1 x KB/MS Y-cable
- 1 x SATA cable