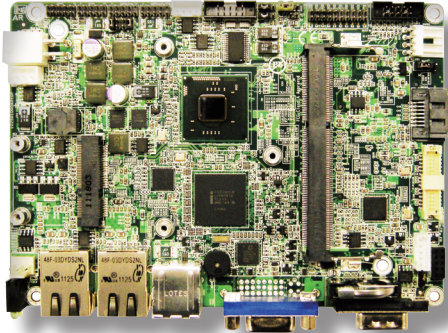


EmCORE-i2501

Intel® Atom™ Processor N2600/ D2550 3.5" Compact Board



Features

- Soldered onboard Intel® Atom™ Processor N2600 or D2550
- Single Channel 18/24-bit LVDS and DVI-I Port supported
- RS-485 Auto-flow Control supported
- **Extended Operating Temp.: -20 ~ 70°C**

System

CPU	Soldered onboard Intel® Atom™ Processor N2600 dual-core 1.6GHz/ D2550 dual-core 1.86GHz
Memory	1 x 204-pin DDR3 SO-DIMM socket, supporting 1066MHz SDRAM up to 4GB (D2550)/ 2GB (N2600)
Chipset	Intel® PCH NM10
BIOS	AMI UEFI BIOS
Watchdog Timer	1~255 levels reset

I/O

Super IO Chipset	Fintek F81866D
Serial Port	2 x COM ports (1 x RS-232 port, 1 x RS-232/422/485 port selectable)
USB Port	6 x USB 2.0 ports
Digital I/O	8-bit programmable digital input/output
Expansion Bus	1 x Mini-card socket
Storage	1 x Serial ATA port with 300MB/s HDD transfer rate 1 x CFast socket or soldered onboard 8GB NANDrive (alternatively)
Ethernet Chipset	2 x Intel® 82583V PCIe GbE controllers
Audio	Realtek ALC662 5.1 Channel HD Audio CODEC, Mic-in / Line-in/ Line-out

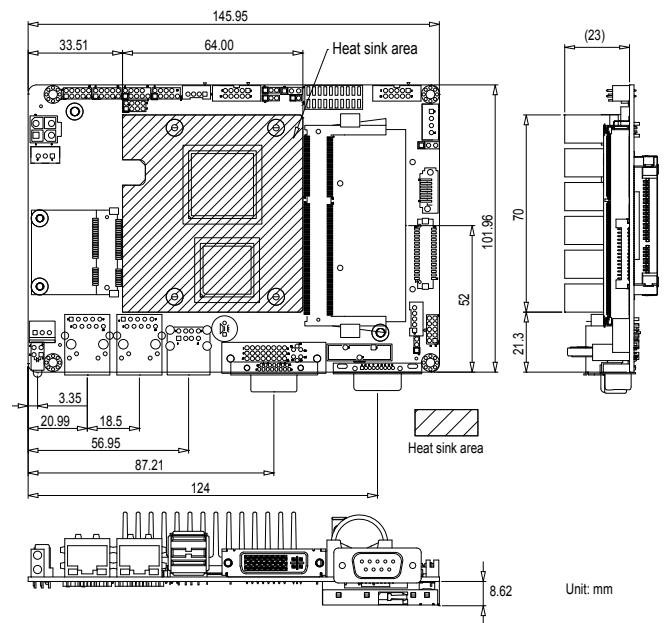
Display

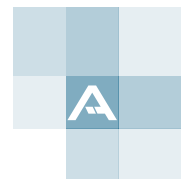
Graphic Chipset	Integrated Intel® Graphics Media Accelerator 3650/ 3600
Graphic Interface	Analog RGB that supports resolution up to 1920 x 1200 @60Hz DVI-I: Analog RGB up to 1920 x 1200 @60Hz or DVI up to 1920 x 1200 @60Hz Single Channel: - 18-bit LVDS for EmCORE-i2501-N26 - 24-bit LVDS for EmCORE-i2501-D25 Dual independent displays supported

Mechanical & Environmental

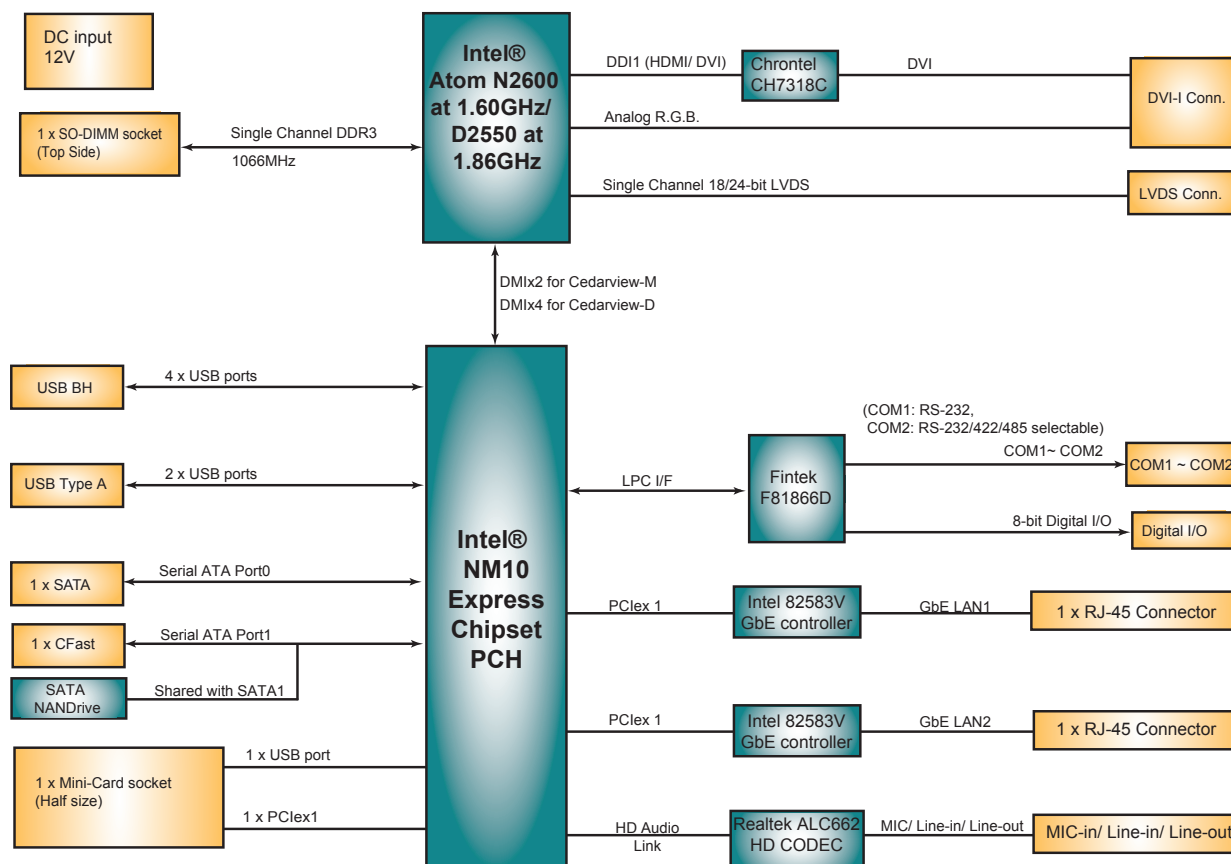
Power Requirement	+12V DC
Power Consumption	1.26A@+12V w/ N2600 (Typical) 1.42A@+12V w/ D2550 (Typical)
Operating Temp.	-20 ~ 70°C (-4 ~ 158°F)
Operating Humidity	10 ~ 95% @ 70°C (non-condensing)
Dimensions (L x W)	146 x 102 mm (5.7" x 4.0")

Dimensions





Block Diagram



Ordering Information

EmCORE-i2501-N26	Intel® Atom™ Processor N2600 3.5" Compact Board with CFAST socket
EmCORE-i2501D-N26 (BTO)	Intel® Atom™ Processor N2600 3.5" Compact Board with 8GB NANDrive
EmCORE-i2501-D25	Intel® Atom™ Processor D2550 3.5" Compact Board with CFAST socket
EmCORE-i2501D-D25 (BTO)	Intel® Atom™ Processor D2550 3.5" Compact Board with 8GB NANDrive

Optional Accessories

CBK-06-2501-00	Cable Kit 1 x COM-port cable 1 x Audio cable 2 x USB cables 1 x SATA cable 1 x SATA power cable
----------------	--