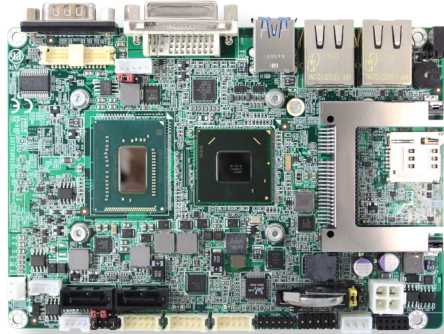


EasyBoard-882E

Wide-Range Temperature 3rd Generation Intel® Core™ i7-3517UE
3.5" Compact Board



Features

- Soldered onboard 3rd Generation Intel® Core™ i7-3517UE
- Dual Gigabit Ethernet ports
- Dual Channel 24-bit LVDS and DVI-I
- Dual independent displays supported
- RS-485 Auto-flow Control supported
- Integrated micro SIM socket to support mobile networking
- Intel® AMT (iAMT) supported
- **Wide-Range operating temp.: -40 ~ 85°C**

System

CPU	Soldered onboard 3 rd Generation Intel® Core™ i7-3517UE dual-core 1.7GHz
Memory	1 x 204-pin SO-DIMM socket, supporting up to 8GB 1333/1600MT/s DDR3 SDRAM
Chipset	Intel® PCH QM77
BIOS	AMI PnP Flash BIOS
Watchdog Timer	1~255 levels reset

I/O

Super IO Chipset	Fintek F71869ED
Serial Port	2 x COM ports: COM1: RS-232, COM2: RS-232/422/485 selectable
USB Port	4 x USB 2.0 ports 2 x USB 3.0 ports
Expansion Bus	1 x Mini-card socket 1 x micro SIM socket
Storage	2 x Serial ATA ports with 600MB/s HDD transfer rate 1 x CFast socket
Ethernet Chipset	1 x Intel® 82579LM PCIe GbE PHY and iAMT support 1 x Intel® 82583V PCIe GbE controller
Audio Interface	Realtek ALC662 HD Audio CODEC, MIC-in/Line-out/Line-in

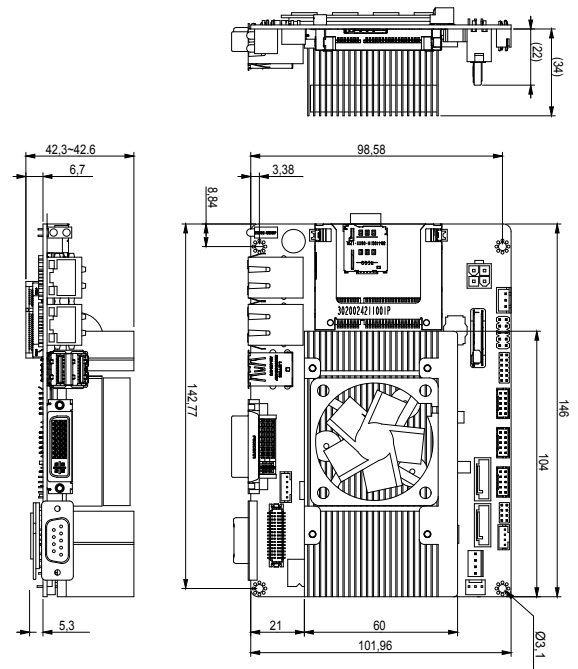
Display

Graphic Chipset	Integrated Intel® HD Graphics 4000
Graphic Interface	DVI-I: Analog RGB for up to 2048 x 1536 @ 60Hz or TMDS for up to 1920 x 1200 via Chronitel CH7318 supported LCD: Dual Channel 24-bit LVDS Dual independent displays support

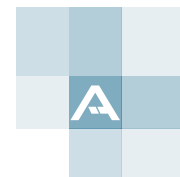
Mechanical & Environmental

Power Requirement	+12V DC
Power Consumption	3A@+12V (Typical)
Operating Temp.	-40 ~ 85°C (-40 ~ 185°F)
Operating Humidity	10%~95% @ 85°C (non-condensing)
Dimension (L x W)	146 x 102 mm (5.7" x 4.0")

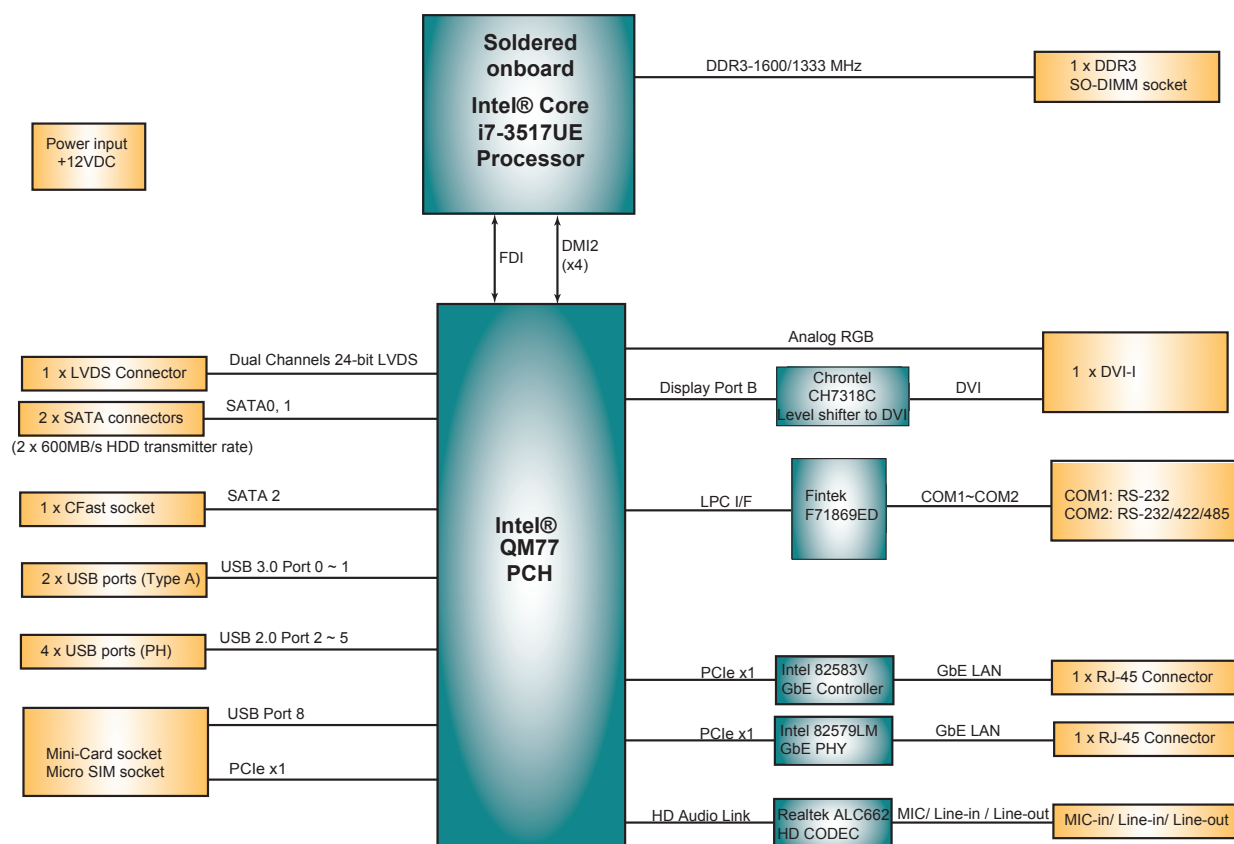
Dimensions



Unit: mm



Block Diagram



Ordering Information

EasyBoard-882E 3rd Generation Intel® Core™ i7-3517UE WT 3.5" Compact Board

Optional Accessories

CBK-06-77M3-00	Cable kit 1 x SATA cable 1 x SATA power cable 2 x USB dual port cables 1 x Audio cable 1 x COM-port cable
----------------	--