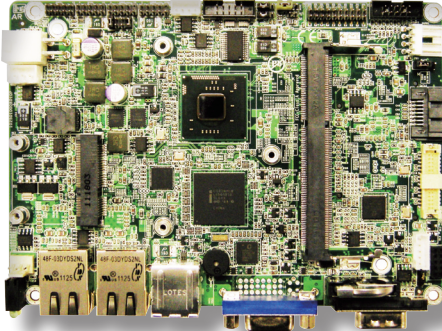


EasyBoard-650E

Wide-Range Temperature Intel® Atom™ Processor N2600
3.5" Compact Board



Features

- Soldered onboard Intel® Atom™ Processor N2600
- Single Channel 18-bit LVDS and DVI-I Port supported
- RS-485 Auto-flow Control supported
- **Wide-Range Operating Temp.: -40 ~ 85°C**

System

CPU	Soldered onboard Intel® Atom™ Processor N2600 dual-core 1.6GHz
Memory	1 x DDR3 SO-DIMM socket, supporting 1066MHz SDRAM up to 2GB
Chipset	Intel® PCH NM10
BIOS	AMI UEFI BIOS
Watchdog Timer	1~255 levels reset

I/O

Super IO Chipset	Fintek F81866D
Serial Port	2 x COM ports (1 x RS-232 port, 1 x RS-232/422/485 selectable port)
USB Port	6 x USB 2.0 ports
Digital I/O	8-bit programmable digital input/output
Expansion Bus	1 x Mini-card socket
Storage	1 x Serial ATA port with 300MB/s HDD transfer rate 1 x CFast socket
Ethernet Chipset	2 x Intel® 82583V PCIe GbE controllers
Audio	Realtek ALC662 5.1 Channel HD Audio CODEC, Mic-in/ Line-in/ Line-out

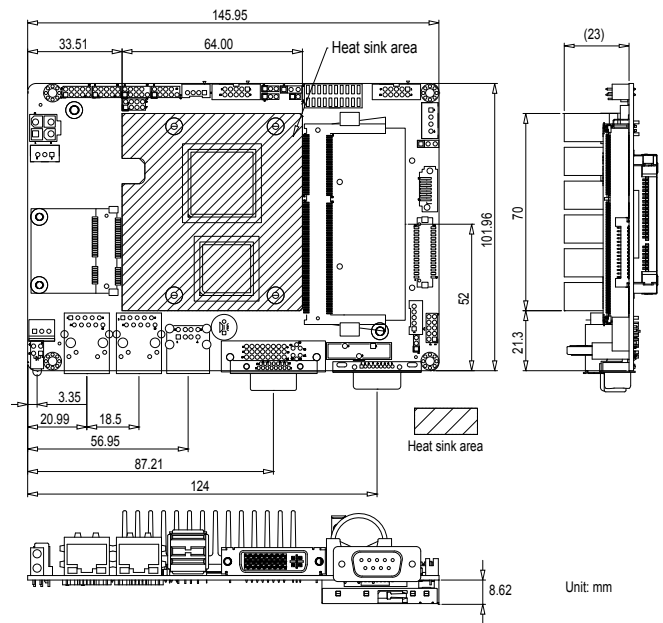
Display

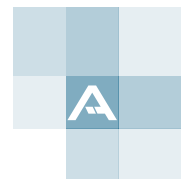
Graphic Chipset	Integrated Intel® Graphics Media Accelerator 3650/ 3600 Analog RGB that supports resolution up to 1920 x 1200 @60Hz
Graphic Interface	DVI-I: Analog RGB up to 1920 x 1200 @60Hz or DVI up to 1920 x 1200 @60Hz Single Channel 18-bit LVDS Dual independent displays supported

Mechanical & Environmental

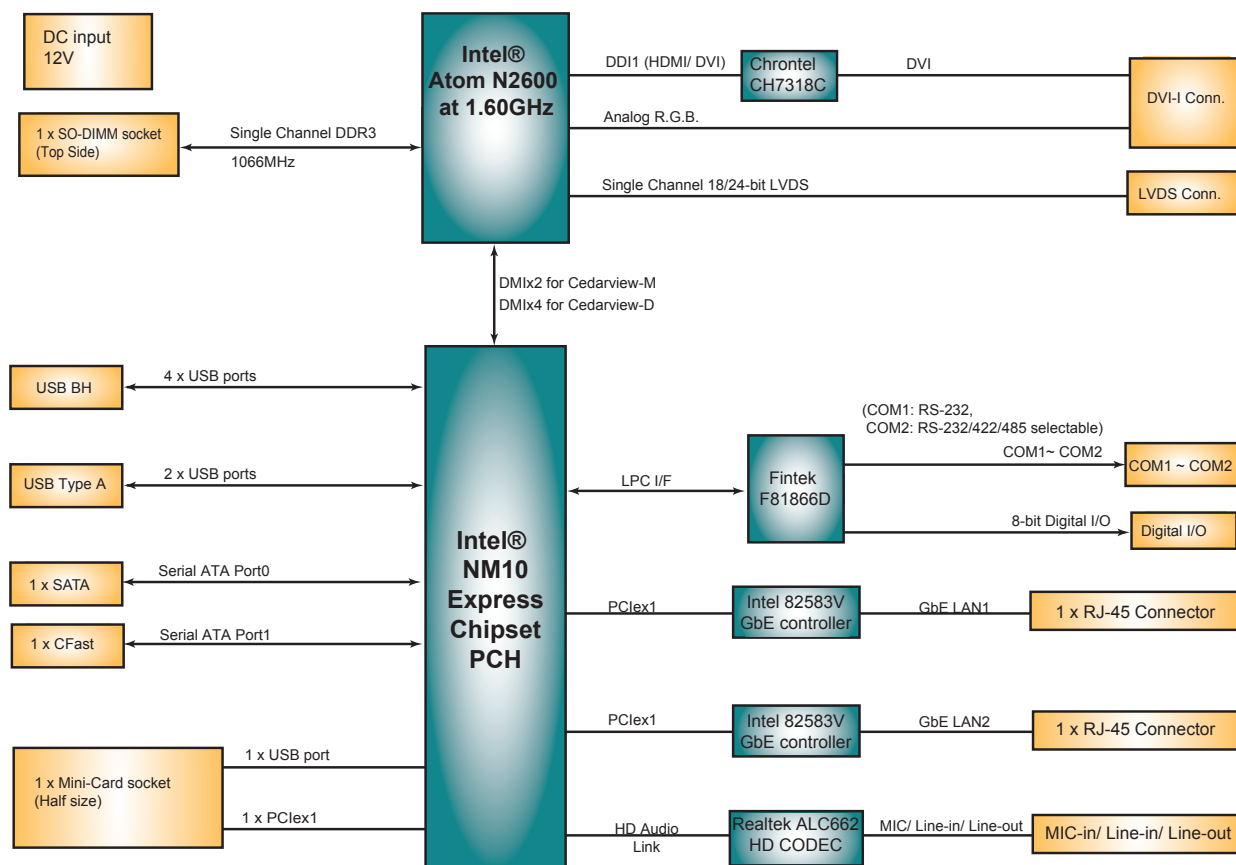
Power Requirement	+12V DC
Power Consumption	1.26A@+12V (Typical)
Operating Temp.	-40 ~ 85°C (-40 ~ 185°F)
Operating Humidity	10 ~ 95% @ 85°C (non-condensing)
Dimensions (L x W)	146 x 102 mm (5.7" x 4.0")

Dimensions





Block Diagram



Ordering Information

EasyBoard-650E Intel® Atom™ Processor N2600 WT 3.5" Compact Board with CFAST socket

Optional Accessories

CBK-06-2501-00 Cable Kit
 1 x COM-port cable
 1 x Audio cable
 2 x USB cables
 1 x SATA cable
 1 x SATA power cable