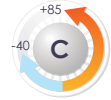
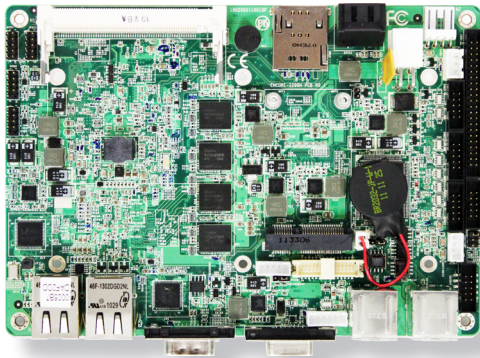


EPIC-747E



Wide-Range Temperature Intel® Atom™ Processor N455 EPIC Board



Features

- Soldered onboard Intel® Atom™ Processor N455
- Soldered onboard DDR3 2GB Memory
- Dual Gigabit Ethernet Ports
- Analog RGB and Single Channel 18-bit LVDS Display
- Dual Independent Displays supported
- Integrated SIM Socket for Mobile Telecommunication
- **Wide-Range Operating Temp.: -40 ~ 85°C**

System

CPU	Soldered onboard Intel® Atom™ Processor N455 1.66GHz
Memory	Soldered onboard DDR3 2GB SDRAM
Chipset	Intel® ICH8M
BIOS	AMI PnP Flash BIOS
Watchdog Timer	1~255 levels reset

I/O

I/O Chip	Winbond W83627UHG
Serial Port	5 x COM ports (4 x RS-232, 1 x RS-232/422/485 selectable)
USB Port	8 x USB 2.0 ports
KB/MS	1 x 6-pin wafer connector for keyboard and mouse (PS/2 interface via cable)
Digital I/O	8-bit programmable digital Input/Output
Expansion Bus	1 x Mini PCI socket 1 x Mini-card socket 1 x SIM socket
Storage	1 x Ultra ATA, supporting 2 IDE device 2 x SATA ports at 300MB/s HDD transfer rate Soldered onboard 2GB NANDrive
Ethernet Chipset	2 x Realtek RTL8111 PCIe Gigabit Ethernet controllers
Audio Interface	Realtek ALC888 7.1 Channel HD Audio Codec, Mic-in/Line-in/Line-out

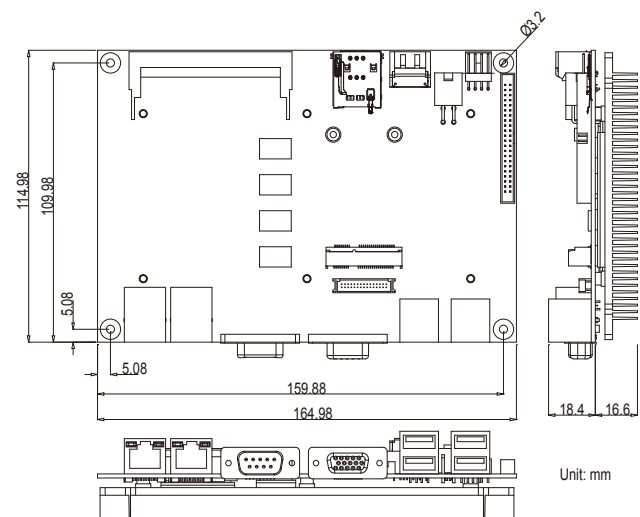
Display

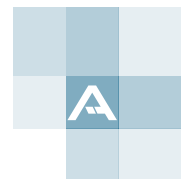
Graphic Chipset	Integrated Intel® Graphics Media Accelerator 3150
Graphic Interface	Analog RGB supported LCD: Single Channel 18-bit LVDS Dual independent displays supported

Mechanical & Environmental

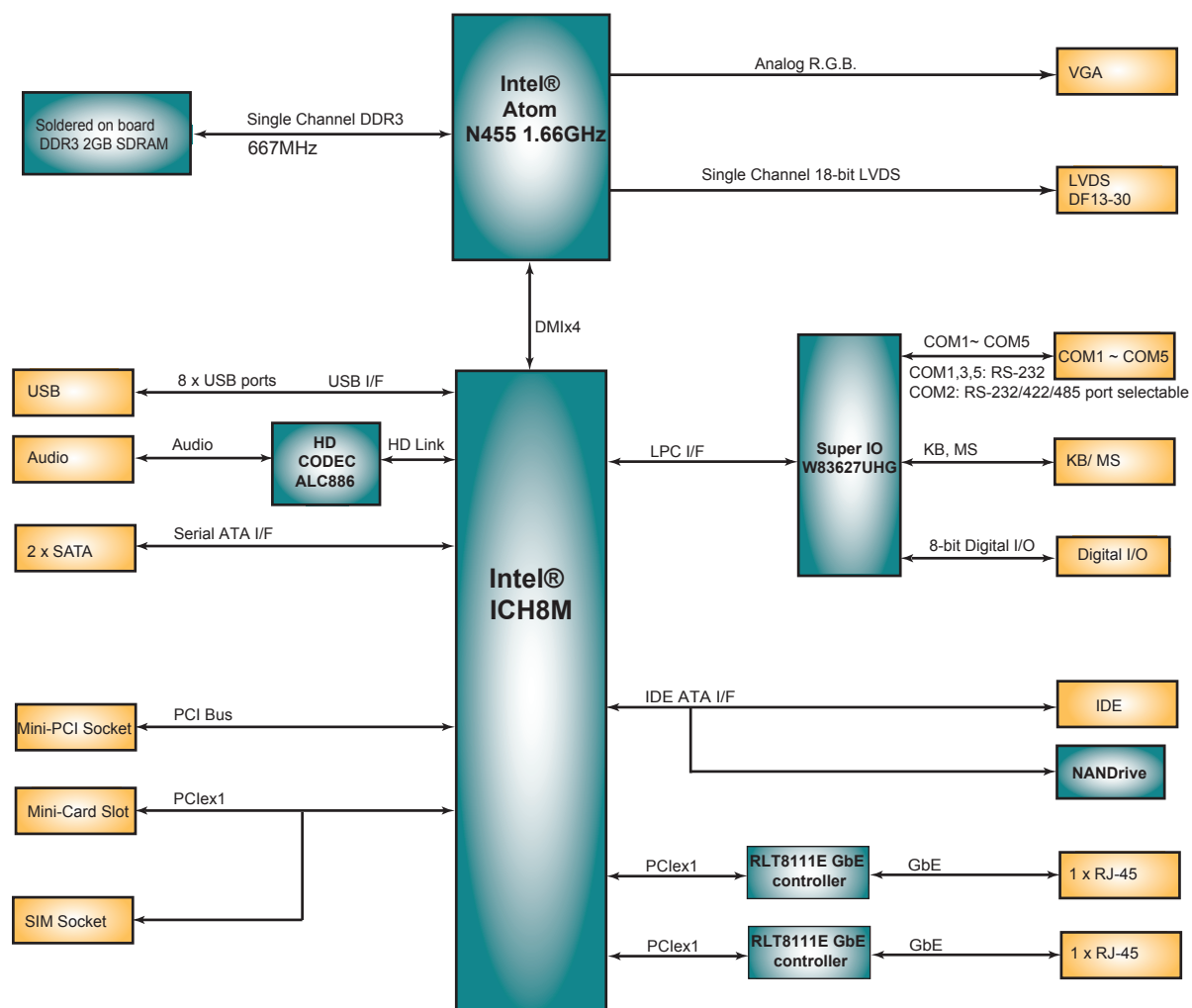
Power Connector	4-pin Aux. ATX power connector
Power Consumption	1.27A@+12V (Typical)
Operating Temp.	-40 ~ 85°C (-40 ~ 185°F)
Operating Humidity	10 ~ 95% @ 85°C (non-condensing)
Dimensions (L x W)	165 x 115 mm (6.5" x 4.53")

Dimensions





Block Diagram



Ordering Information

EPIC-747E

Intel® Atom™ Processor N455 WT EPIC compact board with 2GB NANDrive

Optional Accessories

CBK-11-2902-00

Cable kit
 1 x IDE cable
 1 x Audio cable
 2 x SATA cables
 2 x USB cables
 4 x COM-port cables
 1 x KB/MS cable