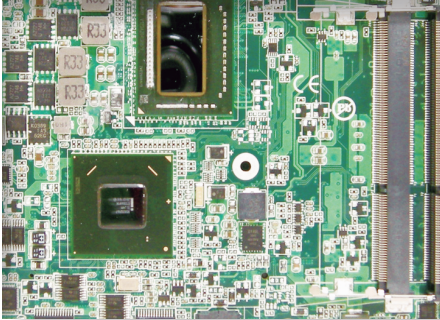


# COM-880E



## Wide-Range Temperature 3<sup>rd</sup> Generation Intel® Core™ Processor COM Express® Basic Type 6 CPU Module



### Features

- Soldered onboard 3<sup>rd</sup> Generation Intel® Core™ i7-3517UE or i7-3612QE
- Integrated Gigabit Ethernet
- Dual Channels 24-bit LVDS, Analog RGB and 3 x DDI Ports
- 3 Independent Displays supported
- RAID 0, 1, 5, 10 supported
- **Wide-Range Operating Temp.: -40 ~ 85°C**

### System

CPU	Soldered onboard 3 <sup>rd</sup> Generation Intel® Core™ i7-3517UE dual-core 1.7GHz or i7-3612QE quad-core 2.1GHz
Memory	2 x DDR3 SO-DIMM sockets, supporting SDRAM up to 16GB
Chipset	Intel® PCH QM77
BIOS	AMI UEFI BIOS
Watchdog Timer	1~255 levels reset

### I/O

USB Port	12 x USB ports: - 8 x USB 2.0 ports - 4 x USB 3.0 ports
Digital I/O	8-bit programmable Digital Input/Output
Expansion Bus	1 x PCIe x16 Gen3 lanes 7 x PCIe x1 Gen2 lanes SPI and LPC (Low Pin Count) interfaces
Storage	4 x Serial ATA ports: - 2 ports with 600MB/s HDD transfer rate - 2 ports with 300MB/s HDD transfer rate SATA RAID 0, 1, 5, 10 supported
Ethernet Chipset	1 x Intel® 82579LM PCIe GbE PHY
Audio	HD Audio link

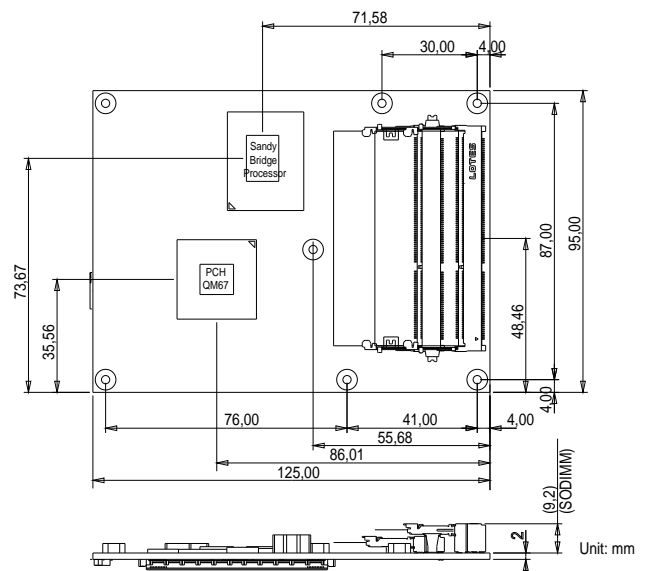
### Display

Graphic Chipset	Integrated Intel® HD Graphics 4000
Graphic Interface	Analog RGB that supports resolution up to 2560 x 1600 LCD: Dual Channels 24-bit LVDS, with resolution up to 1920 x 1200 @60Hz 3 DDI ports

### Mechanical & Environmental

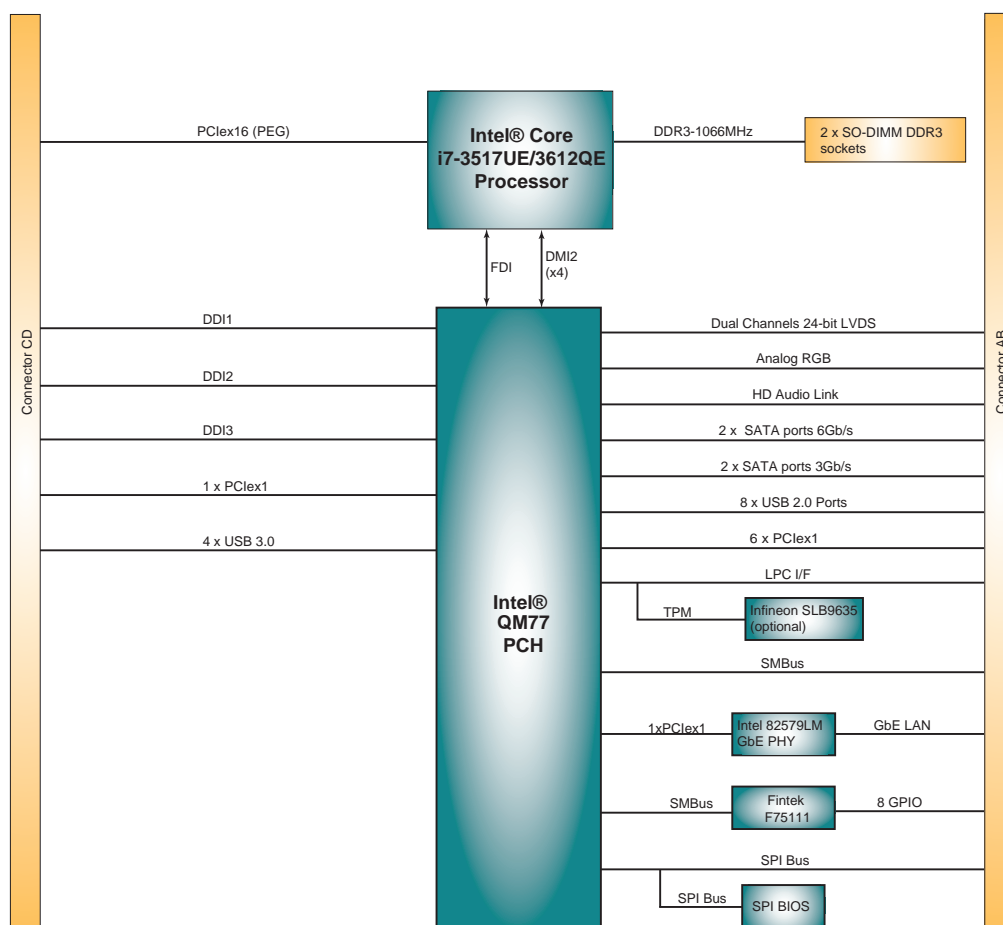
Power Requirement	+12V, 5VSB
Power Consumption	2.11A@12V (Typical)
Operating Temp.	-40 ~ 85°C (-40 ~ 185°F)
Operating Humidity	10 ~ 95% @ 85°C (non-condensing)
Dimension (L x W)	125 x 95 mm (4.9" x 3.7")

### Dimensions





## Block Diagram



## Ordering Information

COM-880E-3517UE 3<sup>rd</sup> Generation Intel® Core™ i7-3517UE/ QM77 WT COM Express® CPU module

COM-880E-3612QE 3<sup>rd</sup> Generation Intel® Core™ i7-3612QE/ QM77 WT COM Express® CPU module

## Optional Accessories

HS-65M2-F1 Heat spreader for COM-880E-3517UE

HS-65M2-F2 Heat spreader (Size: 95 x 95 x 11mm)

HS-65M2-C1 Heat sink with fan for COM-880E-3612QE (COM-880E-3612QE must go with HS-65M2-C1.)

HS-0000-W4 Universal evaluation heatsink kit with thermal pad (dimension: 125x95x22mm, only used on a flat type heat spreader)

PBE-1702 COM Express® Type 6 evaluation carrier board (ATX form factor)

CBK-04-1702-00 Cable kit  
1 x SATA cable  
2 x COM-port cables  
1 x USB cable