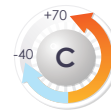


# ARTS-1450



## Fanless Vehicle PC with Intel® Atom™ Processor E3845



### Features

- Fanless and rugged design
- Intel® Atom™ Processor E3845 quad-core 1.91GHz
- Dual SIM cards + dual WWAN modules supported
- Wide operating temperature : -40°C~70°C
- Outside accessible SD and SIM slots supported
- 3 x mini-PCIe sockets
- Optional uBlox GPS Module, support GPS, Glonass, Galileo, BeiDou and QZSS signals
- Compliant with MIL-STD-810G
- Optional CAN BUS2.0B and 4-channel CCTV
- 4 x COM, 1 x USB3.0, 2 x USB2.0, 4-in/4-out GPIO

System	
CPU	Soldered onboard Intel®Atom™ processor E3845 quad-core
Memory	1 x 204-pin SO-DIMM socket, supporting DDR3L 1066/1333 MHz, up to 8GB SDRAM
Chipset	Intel Atom™ processor E3845
Graphics	Integrated Intel® HD Gen. 7 Graphics
SATA	1 x Serial ATA port with 300MB/s HDD transfer rate 1 x mSATA
Connectivity	802.11 a/b/g/n Wireless LAN Mini-card (optional)
LAN Chipset	1 x Intel® i210IT GbE PHY controller
Watchdog Timer	1~255 levels reset
I/O	
Serial Port	2 x RS-232/485 ports w/ DB-9 connectors, rear side 2 x RS-232 ports w/ DB-9 connectors, rear side Optional : 1 x CAN BUS2.0B w/ DB-9 connector Optional : 1 x 4-ch CCTV w/ DB-9 connector
USB Port	1 x type A USB 3.0 port, front side 2 x type A USB 2.0 ports, rear side
LAN	1 x RJ-45 port for GbE, rear side
Video Port	1 x DVI-D female connector, rear side 1 x VGA with DB15 female connector, rear side
Digital I/O	1 x 8-bit digital I/O, 4-in/4-out w/ DB-15 Male connector, 2KV isolated protection, front side
Antenna	5 x SMA-female connectors' holes for external antennas, front side
Audio	2 x 3.5mm phone jacks for Line-out & MIC-in (2W pre-amplified), rear side 1 x Mini-PCIe slot for optional WiFi/Bluetooth module
Expansion Bus	2 x Mini-PCIe slot interconnected with SIM card sockets for optional HSUPA/LTE module 2 x SIM sockets (outside accessible)
Storage	
Type	1 x 2.5" drive bay for SSD 1 x mSATA 1 x outside accessible SD socket with cover

### Environmental

Operating Temp.	-40°C ~ 70°C (-40°F ~158°F ), ambient w/ air flow, w/SSD
Storage Temp.	-40°C ~85 °C (-40°F ~ 185°F)
Operating Humidity	5% ~ 95% @ 70°C (non-condensing)
Vibration (SSD)	Operating: MIL-STD-810G, Method 514.6, Category 4 and EN61373 Category 1 Class B Non-operating: MIL-STD-810G, Method 514.6, Category 24 minimum integrity test
Shock (SSD)	Operating: MIL-STD-810G, Method 516.6, Procedure functional shock=20g Non-operating : MIL-STD-810G, Method 516.6, Procedure V, crash hazard shock test=75g

### Qualification

Certification	CE, FCC Class A, E13 Mark
---------------	---------------------------

### Power Requirement

Power Input	DC 9~36V input, w/ 3-pin terminal block
Power Consumption	Max. 30W
Power Management	Power ignition, power on/off delay controlled by software

### Mechanical

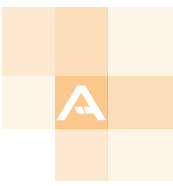
Construction	Aluminum alloy
Mounting	Wall-mount
Weight	1.5 kg
Dimensions (W x H x D)	200 x 55 x 180 mm (7.87" x 2.17" x 7.09")

### OS Support

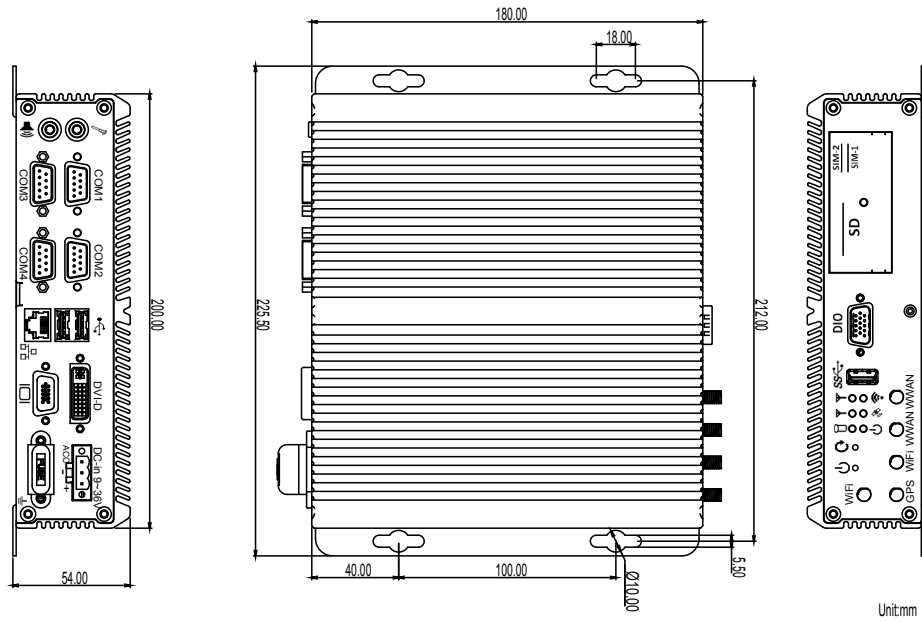
W7 Pro / Embedded, Linux Kernel 3.1X

### Ordering Information

ARTS-1450	Vehicle Barebone System w/ Intel® Atom™ Quad-core E3845 SoC, w/o memory and storage
-----------	---



# Dimensions



Unit:mm

## Standard Accessories

PAC-B065W-2      19V/3.4A 65W AC/DC adapter kit



## Optional Configuration (CTOS\* Kit)

80 GB SSD      Intel® 2.5" 80GB SATAIII SSD kit



MM-3IL-2G      Industrial-grade DDR3L-1600 2GB SDRAM

MM-3IL-4G      Industrial-grade DDR3L-1600 4GB SDRAM



MM-3IL-8G      Industrial-grade DDR3L-1600 8GB SDRAM

WiFi-AT2350      Atheros AR9462 WiFi module w/ 20cm & 30cm internal wiring



HSPA-SI1400      HSUPA 3.75G module kit & internal wiring



GPS-UART Kit      GPS-1450 Kit, U-BLOX GPS Kit For ARTS-1450



ANT-D11      1 x Wi-Fi Dual-band 2.4G/5G antenna



\*CTOS means Configure-to-Order Service.