

### Features

- 17" SXGA (1280 x 1024) TFT LCD Display
- Supports Remote Display Technology
- IP-65 Aluminum Die Cast Front Bezel
- Supports On Screen Display (OSD) Function



### Specifications

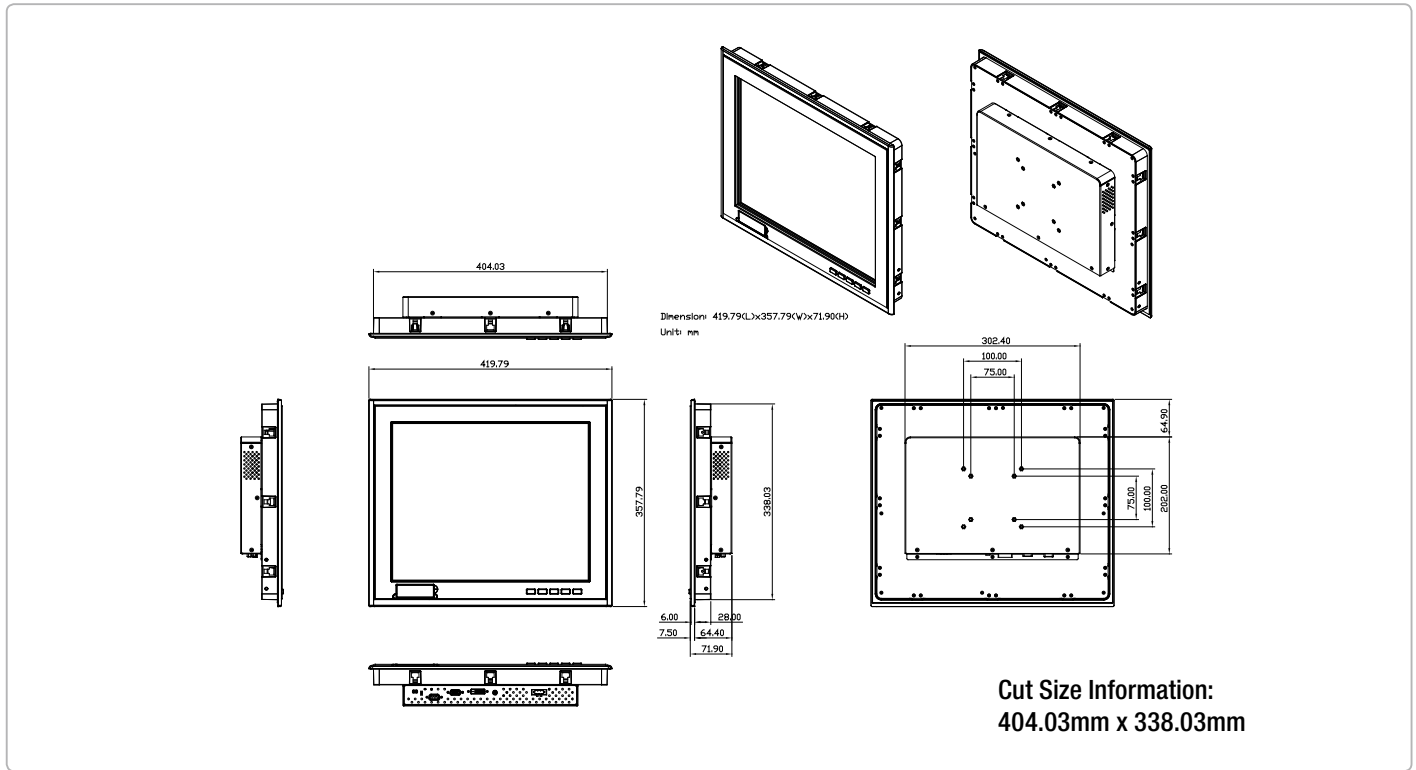
System	
Input Signal	VGA/ DVI
On Screen Display Control	Menu, Auto, LCD On/Off, Up, Down
I/O connector	AGD-317R-A2: USB x 3 (2 on front; 1 on rear), LAN x 2, Line-out x 1 AGD-317R-A1: LAN x 1, Line-out x 1
OS support	Windows® XP, Windows® 7, Linux Fedora
Mechanical	
Construction	IP-65/ NEMA4 for aluminum die cast front bezel & steel chassis
Mounting	Panel/ VESA 75/100/ Rack
Dimension	16.54" x 14.1" x 4.41" (420mm x 358mm x 112mm)
Carton Dimension	26" x 19.53" x 7.87" (661mm x 496mm x 200mm)
Gross Weight	18.59 lb (8.45 Kg)
Net Weight	14.3 lb (6.5 Kg)
Environmental	
Operating Temperature	32°F ~122°F (0°C~50°C)
Storage Temperature	-4°F ~ 140°F (-20°C ~ 60°C)
Storage Humidity	10%~95% @ 40°C; non-condensing
Vibration	1 g rms/ 5~500Hz/ Random operation
Shock	15 G peak acceleration (11 msec. Duration)
EMC	CE/FCC Class A
Power Supply	
DC input	9~30V DC, w/3-pin terminal block Over-voltage (31V DC) Under-voltage (8V DC) Reverse protection Surge protection (1000V DC)
LCD	
Display type	17" TFT-LCD
Max Resolution	1280x 1024
Max. Colors	16.7M colors (6/8-bit for R,G,B)
Luminance	380 cd/m <sup>2</sup>
Viewing Angle	170°(H), 160°(V)
Back Light	CCFL
Back Light MTBF (hours)	50,000
Touchscreen	
Type	5-wire resistive (AGD-317R-A2 only)
Light Transmission	80%
Lifetime (times)	35 million activations

Note: Users have to select the ACG-203 to work with the AGD-317R.

# AGD-317R

## Dimension

Unit: mm



## Ordering Information

- **AGD-317RHT-A1-1010**  
17" Rugged Display with Remote Display Technology (No T/S)
- **AGD-317RHTT-A2-1010**  
17" Rugged Touch Display with Remote Display Technology, two front USB Ports, Resistive T/S

## Optional Accessories

- **9761317502**  
Rackmount kit for AGD-317R
- **1757908401**  
AC/DC Power Adapter, 12V 84W