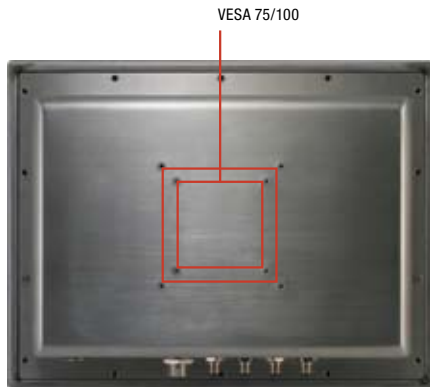


# AFP-6123

12.1" Stainless Fanless Touch Panel Computer With Intel® Atom™ D2550 Processor, 2G RAM



## Features

- 12.1" XGA (1024 x 768) TFT LCD Display
- Intel® Atom™ D2550 Processor, Fanless Operation
- IP66/NEMA4x-Compliant Stainless Type 316L System
- Wide Operation Temperature : -20°C ~ 50°C
- Anti-Scratch Touch Screen: 7H
- Power Input Protection:
  - Over-Voltage Protection
  - Low-Voltage Protection
  - Reverse Protection



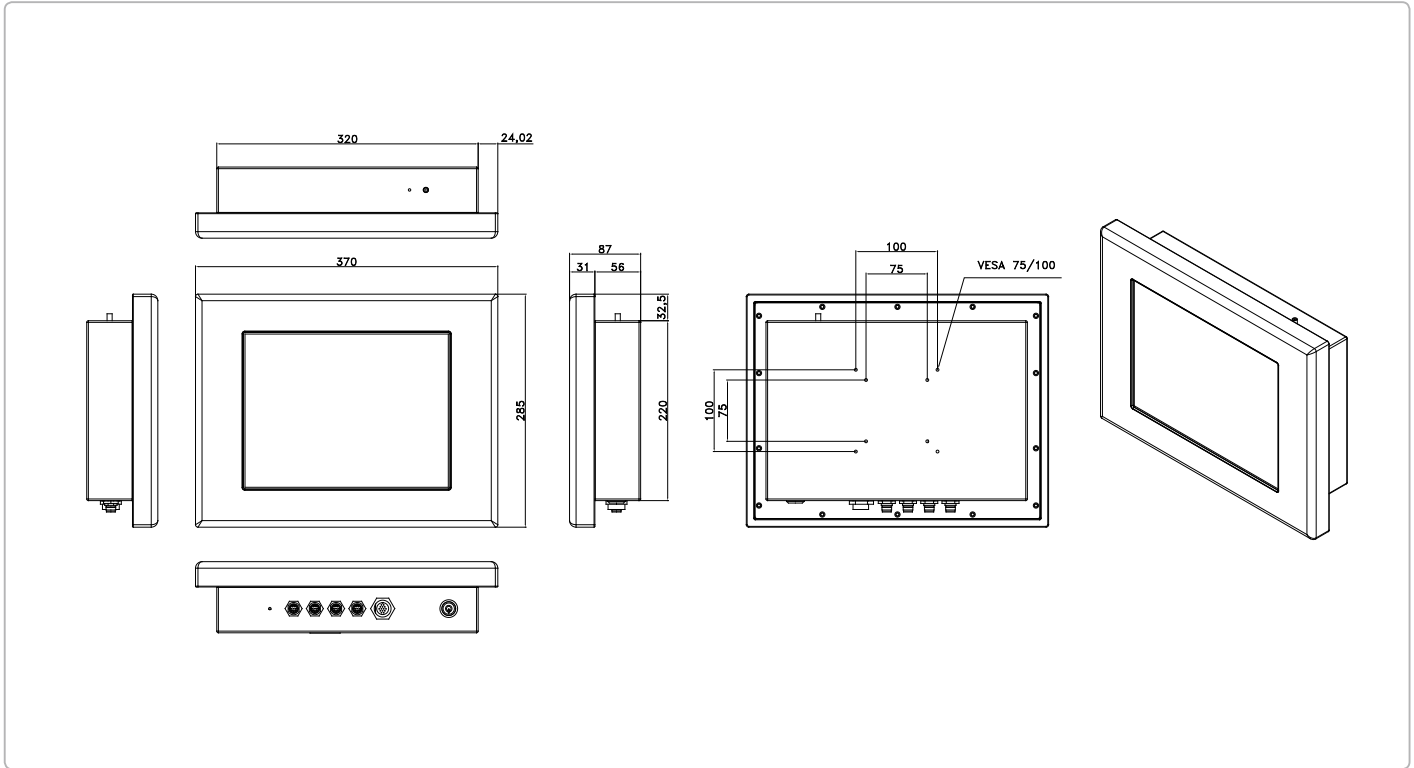
## Specifications

System	
Processor	Intel® Dual Core Atom™ D2550 CPU onboard
Memory	DDR3 SODIMM x 1 up to 4GB (Wide-Temp. and Factory- Installed)
LCD/CRT Controller	Integrated in Processor
Ethernet	10/100/1000Base-TX x 1
I/O Port	M12 x 1 for USB 2.0 x 2 M12 x 1 for RS-232 x 1 M12 x 1 for RS-232/422/485 x 1 M12 x 1 for LAN x 1, Power input x 1
Storage Disk Drive	2.5" SATA Hard Disk Drive x 1/ CompactFlash™ Slot x 1 (Internal) (Wide-Temp. and Factory- Installed)
Expansion Slot	Mini-card x 1
OS support	Window® XP, Window® 7, Linux Fedora
Mechanical	
Construction	IP66 / NEMA4x for stainless front bezel & stainless chassis
Mounting	VESA 75/100
Dimension	14.6" x 11.2" x 3.42" (370 x 285 x 87 mm)
Carton Dimension	20" x 18.1" x 8.26" (510 x 460 x 210 mm)
Gross Weight	18.1 lb (8.2 Kg)
Net Weight	15.2 lb (6.93 Kg)
Environmental	
Operating Temperature	-4°F ~122°F (-20°C~50°C) Ambient without Airflow -4°F ~ 130°F (-20°C~55°C) Ambient with Airflow
Storage Temperature	-4°F ~158°F (-20°C~70°C)
Storage Humidity	5%~90% @40°C, non-condensing
Vibration	1g rms/ 5~500Hz/ Random operation (HDD)
Shock	15 G peak acceleration (11 msec. Duration)
EMC	CE/FCC Class A
Power Supply	
DC input	9~30V DC input -Over-voltage protection -Low-voltage protection -Reverse protection
LCD	
Display type	12.1" TFT-LCD
Max Resolution	1024 x 768
Max. Colors	262k colors
Luminance	500
Viewing Angle	160°(H)/140°(V)
Back Light	LED
Back Light MTBF (hours)	50,000
Touchscreen	
Type	Glass-Film-glass, anti-scratch 7H
Light Transmission	80%
Lifetime (Times)	35,000

# AFP-6123

## Dimension

Unit: mm



## Ordering Information

Part Number	Display Type	Max Resolution	Luminance	View Angle	Backlight MTBF (Hours)	CPU	LAN	USB	RS-232	RS-485/422/232	Storage	RAM	Display	Expansion	Mounting	Power	Temp.	Touch
AFP-6123HTT-A1-1010	12.1" TFT-LCD	1024 x 768	500 cd/m <sup>2</sup>	160(H), 140V	50,000	D2500, 1.86GHz	1	2	1	1	CF Kit x 1 SATA-HDD Kit x 1	2G	VGA x 1	Mini Card x 1	VESA75/100	DC 9-30V	-20-50 C (w/o air)	GFG Touch

## Packing List

- USB Cable with 2 USB Waterproof Connectors
- COM Cables with Waterproof Connectors
- Waterproof Connector for DC-in (Female)
- CD-ROM for Manual (in PDF format) and Drivers
- AFP-6123

## Optional Accessories

- **9761215301**  
USB GPS Kit
- **9761215302**  
3G & GPS Kit
- **1757910004**  
AC Adapter (100W)
- **1702031802**  
AC Adapter Cord (US Type)
- **1702031803**  
AC Adapter Cord (European Type)
- **170203180E**  
AC Adapter Cord (Japanese Type)
- **9761215304**  
Water-proof Wireless Module (b/g/n)