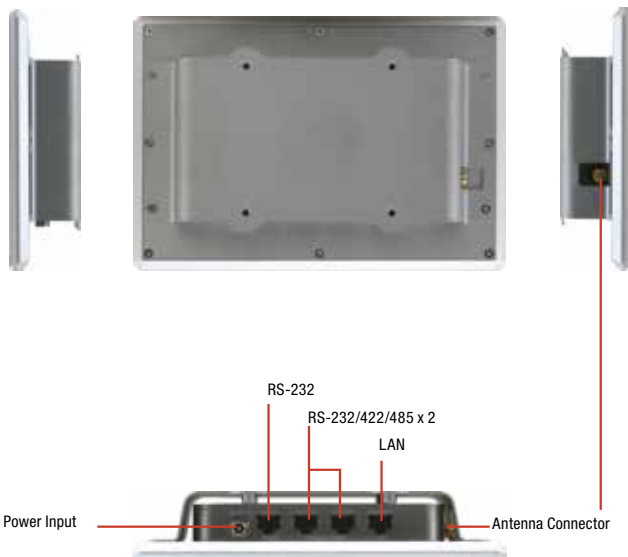
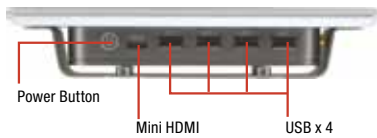


# ACP-1073

7" Ultra-Slim Fanless Multi-Touch Panel PC with Intel® Atom™ N2600, 2GB RAM



## Features

- 7" WSVGA (1024 x 600) Color TFT LCD Display
- Intel® Atom™ N2600 Processor
- Wide Screen with Projected Capacitive Multi-Touch
- Anti-Scratch Surface : 7H Surface
- Thickness: 13mm LCD + Touch, and 20mm Chassis
- Aluminum Design
- IP65 Compliant True Flat Screen
- Fanless System
- VESA 100/ Stand Support



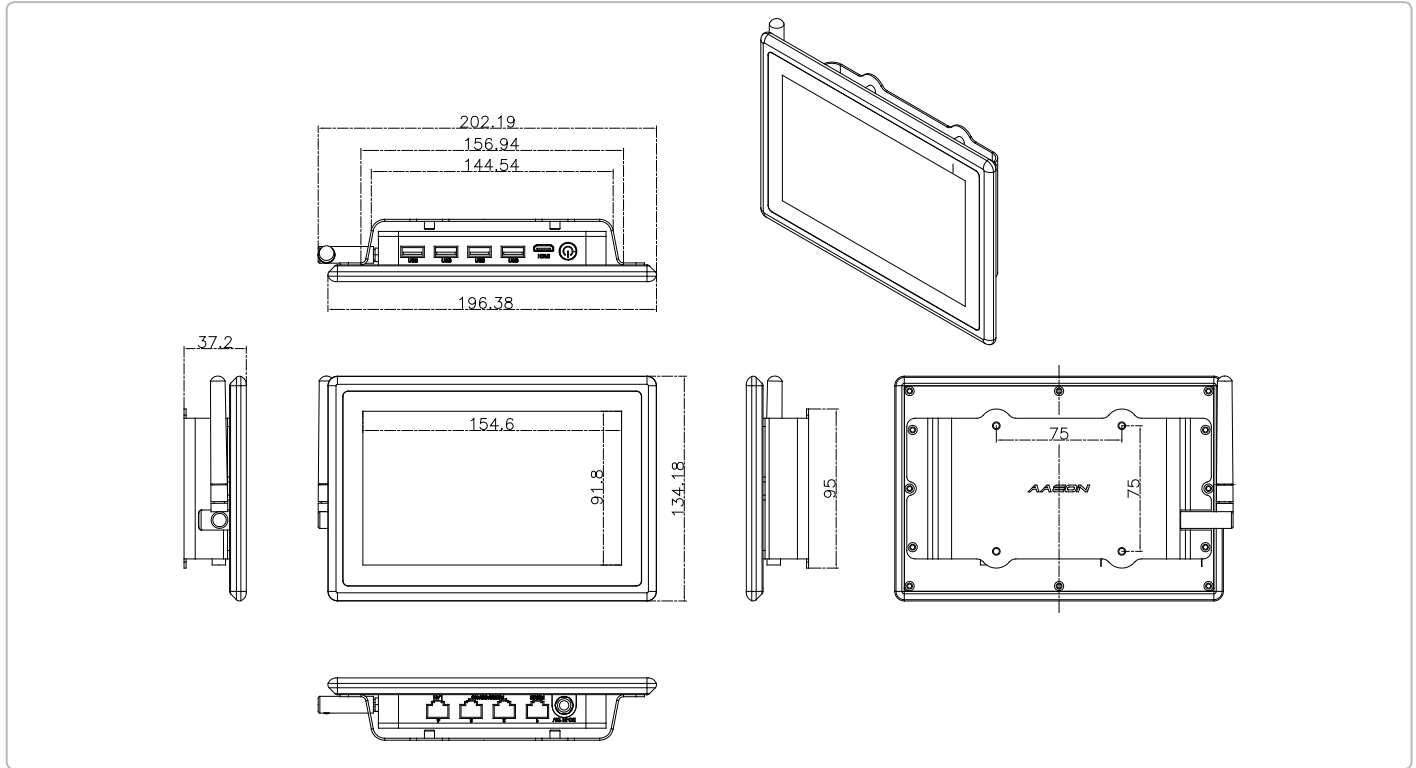
## Specifications

| System                  |  |
|-------------------------|--|
| Processor               | Intel® Atom™ N2600 1.6 GHz processor   |
| System Memory           | 204-pin DDR3 SODIMM up to 2GB  |
| LCD/CRT controller      | Intel®NM10   |
| Ethernet                | 10/100/1000Base-TX, RJ-45 x 1  |
| I/O Port                | RJ-48 Type RS-232/422/485 x 2<br>RJ-48 Type RS-232 x 1, USB 2.0 x 4, Mini HDMI x 1, RJ-45 Type LAN x 1, Lockable Power Input Connector, Power switch x 1 |
| Storage Disk Drive      | Half-size mSATA Storage (Suggest AAEON Factory Installed)  |
| Expansion Slot          | WiFi Module (By Module)  |
| OS support              | Windows® XP, Windows® 7, Linux Kernel 2.6.3 or higher  |
| Mechanical              |  |
| Construction            | IP65/NEMA 4 For Plastic Front Bezel, Aluminum Back Chassis   |
| Mounting                | VESA 100/ Stand  |
| Dimension               | 7.96" x 5.28" x 1.46" (202.19mm x 134.18mm x 37.2mm)   |
| Carton Dimension        | 13.58" x 7.87" x 9.65" (345mm x 200mm x 245mm)   |
| Gross Weight            | 5.5 lb (2.5kg)   |
| Environmental           |  |
| Operating Temperature   | 32°F ~ 113°F (0°C ~ 45°C)  |
| Storage Temperature     | 14°F ~ 140°F (-10°C ~ 60°C)  |
| Storage Humidity        | 5%~90% @40°C; non-condensing   |
| Vibration               | 1g rms / 5~ 500Hz / operation – With HDD   |
| Shock                   | 15G peak acceleration (11 msec. duration) – With HDD   |
| EMC                     | CE/FCC Class A   |
| Power Supply            |  |
| DC input                | DC12V , With Power Adapter w/ Lock (In Package)  |
| LCD                     |  |
| Display type            | 7" TFT-LCD, LED  |
| Max Resolution          | 1024 x 600   |
| Max. Colors             | 26M colors (6/8-bit for R,G,B)   |
| Luminance               | 250 cd/m <sup>2</sup>  |
| Viewing Angle           | 150°(H), 145°(V)   |
| Back Light              | LED  |
| Back Light MTBF (hours) | 50,000   |
| Touchscreen             |  |
| Type                    | Projected Capacitive Touch (two points)  |
| Light Transmission      | 90%  |

# ACP-1073

## Dimension

Unit: mm



## Ordering Information

| Part Number         | Display Type | Max Resolution | Luminance             | Backlight MTBF | CPU                        | LAN | USB 2.0 | RS-232 | RS-232/422/485 | Storage             | RAM     | Display       | Expansion   | Mounting       | Power  | Temp.                    | Touch                                    |
|---------------------|--------------|----------------|-----------------------|----------------|----------------------------|-----|---------|--------|----------------|---------------------|---------|---------------|-------------|----------------|--------|--------------------------|--|
| ACP-1073HTT-A1-1010 | 7" TFT-LCD   | 1024 x 600     | 250 cd/m <sup>2</sup> | 50,000         | Intel® Atom™ N2600, 1.6GHz | 1   | 4       | 1      | 2              | Half size mSATA HDD | 2GB RAM | Mini HDMI x 1 | —           | VESA 100/Stand | DC 12V | 0°C ~ 45°C (w/o airflow) | Projective Capacitive Touch (Two Points) |
| ACP-1073HTT-A2-1010 | 7" TFT-LCD   | 1024 x 600     | 250 cd/m <sup>2</sup> | 50,000         | Intel® Atom™ N2600, 1.6GHz | 1   | 4       | 1      | 2              | Half size mSATA HDD | 2GB RAM | Mini HDMI x 1 | WiFi Inside | VESA 100/Stand | DC 12V | 0°C ~ 45°C (w/o airflow) | Projective Capacitive Touch (Two Points) |

## Packing List

- Power Adapter
- RJ-45 to COM Cable x 3
- Mini HDMI to HDMI Cable
- VESA Mount Kit
- VESA Screws
- Product DVD
- ACP-1073

## Optional Accessories

- 1700090156  
RJ-45 to COM Cable
- 1255300604  
Power Adapter DC12V, 60W
- 1702031802  
Power Cord (US Type)
- 1702031803  
Power Cord (European Type)
- M041073020  
Stand Kit
- M041073000  
VESA Mount Kit

## Half Size mSATA Storage Device

- 968C008G0G  
(TF)Half-sized, 8GB, mSATA SSD, MLC, -40°C ~ +85°C
- 968C016G1W  
(TF)Half-sized, 16GB, mSATA SSD, MLC, -40°C ~ +85°C
- 968C016G1U  
(TF)Half-sized, 16GB, mSATA SSD, MLC, -40°C ~ +85°C
- 968C032G1B  
(TF)Half-sized, 32GB, mSATA SSD, MLC, -40°C ~ +85°C
- 968C032G0L  
(TF)Half-sized, 32GB, mSATA SSD, MLC, -40°C ~ +85°C
- 968C064G0T  
(TF)Half-sized, 64GB, mSATA SSD, MLC, -40°C ~ +85°C

**Note:** AAEON strongly recommend you to buy AAEON factory-installed mSATA HDD if you need a mSATA HDD.